

E2006

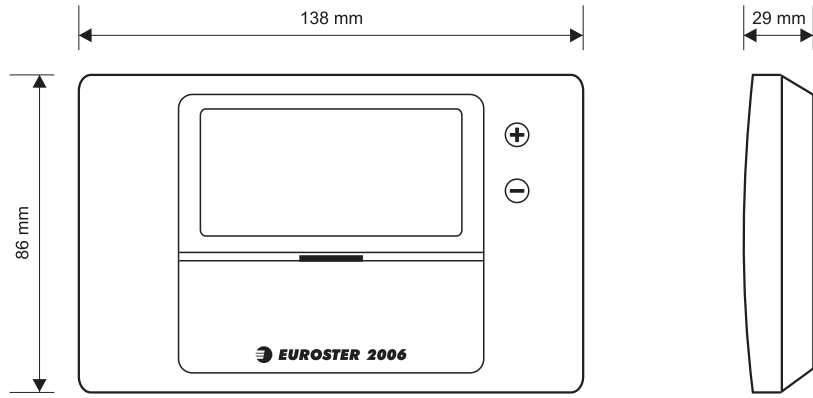
Wired room thermostat for any heating / air conditioning system



- two temperature presets: comfort and economy
- half-hour programming resolution
- temporary temperature preset
- Hold function maintaining the preset temperature regardless of programmed settings
- convenient programming
- corrected temperature readings
- protection against uncontrolled heating device operation in the event of a low thermostat battery
- anti-freeze protection
- in model 2006P a temperature sensor connected via a 2,5 m cable

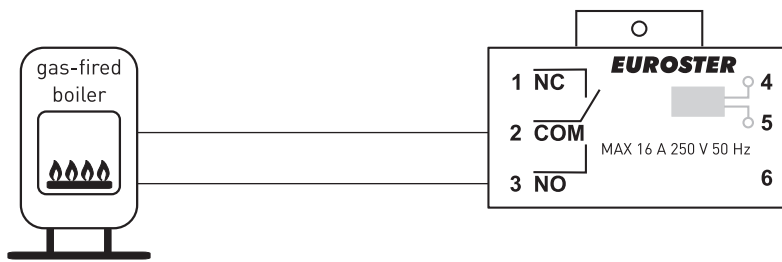
Device controlled	CH / air conditioning systems
Power supply	3 V [2 AA alkaline batteries]
Rated load	16 (3,5) A 230 V 50 Hz
Output	voltage-free SPDT relay
Temperature measurement range	0°C...+50°C
Temperature control range	+5°C...+35°C / +5°C...+45°C (model P)
Temperature control accuracy	0,1°C
Temperature reading accuracy	0,1°C
Temperature control hysteresis	0,2 / 0,4 / 1,0°C
Status visualization	LCD
Operating temperature range	+5°C...45°C
Storage temperature range	0°C...65°C
IP rating	IP 20, class II protection against electric shocks
Colour	white, RAL9010
Mount method	wall mounted, wall plugs
Weight	171 g
Certificates/standards	complies with the EMC and LVD Directives
Warranty period	2 years
Dimensions (W/H/D) mm	138/86/29
Packing list	Euroster 2006 thermostat, wall plugs, instructions, batteries, 2,5 m temperature sensor cable (model P)





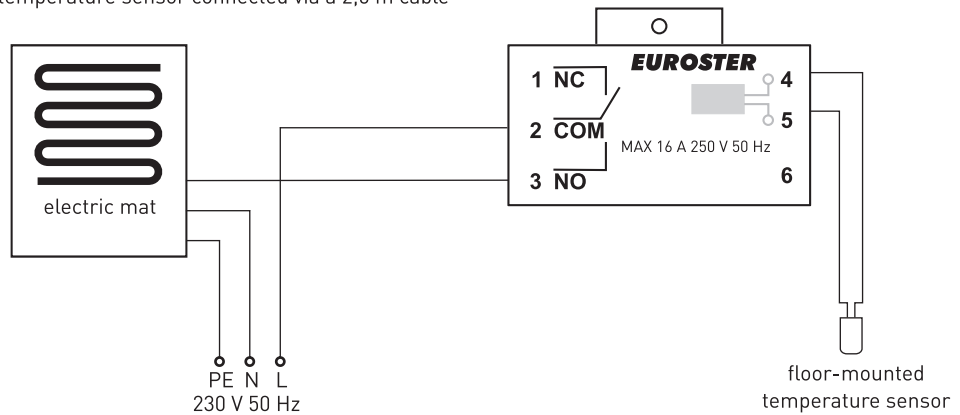
The simplified diagrams presented do not contain all of the elements necessary to correctly install the device.

GAS-FIRED BOILER



FLOOR HEATING (MODEL 2006P)

Model 2006P with a temperature sensor connected via a 2,5 m cable



CH / AIR CONDITIONING SYSTEM

