

## Data Sheet

# Danfoss Icon™ Display

## Room Thermostat, 230 V

## Description



Danfoss Icon™ Display 088U1010



Danfoss Icon™ Display 088U1015

Danfoss Icon™ is a range of flush and surface mounted room thermostats for hydronic floor heating applications.

Danfoss Icon™ Display is mains powered and can be used as a stand-alone thermostat or in combination with Wiring Centers.

The thermostat uses a triac output and can control up to 5 thermal actuators.

The user can set the desired room temperature via the touch user interface and read the measured room temperature.

The thermostat uses a “touch on glass” interface with a shine through display. The display is “OFF” in normal operation.

**Features**

- Accurate PWM-control;
- Inwall version compatible with 3’rd party wall frames;
- Shine through display;
- Range limitation via user menu;
- Neutral design and simple user interface;
- Frost protection setting;
- Can be used with 230 V NC or NO actuators;
- The thermostat can be optimized for different heatsources via service menu;
- Valve exercise feature;
- Very high UV-resistance.


## Ordering

Product	Version	Size	For junction box	Code no.
Danfoss Icon™ Display	In-wall	80 × 80 mm	Euro, Ø68 mm	<b>088U1010</b>
Danfoss Icon™ Display	In-wall	86 × 86 mm	Square, 70 × 70 mm	<b>088U1011</b>
Danfoss Icon™ Display	In-wall	88 × 88 mm	Swiss type	<b>088U1012</b>
Danfoss Icon™ Display	On-wall	86 × 86 mm	N.A.	<b>088U1015</b>

## Accessories

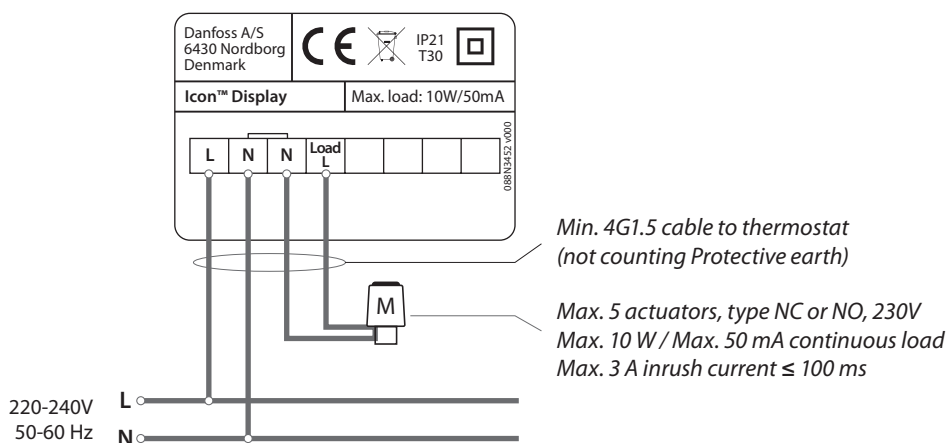
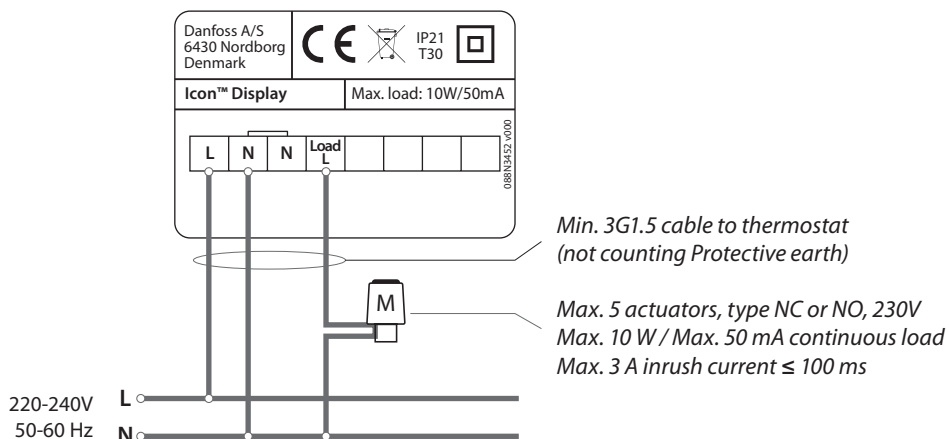
Product	Code no.
Danfoss Icon™ 230V Wiring Center, 8 channels, up to 14 outputs	<b>088U1040</b>
Danfoss Icon™ 230V Wiring Center, 8 channels, up to 14 outputs, CH	<b>088U1041</b>
Danfoss Icon™ 230V Wiring Center, 8 channels, up to 14 outputs, NP	<b>088U1042</b>

**Technical specifications**

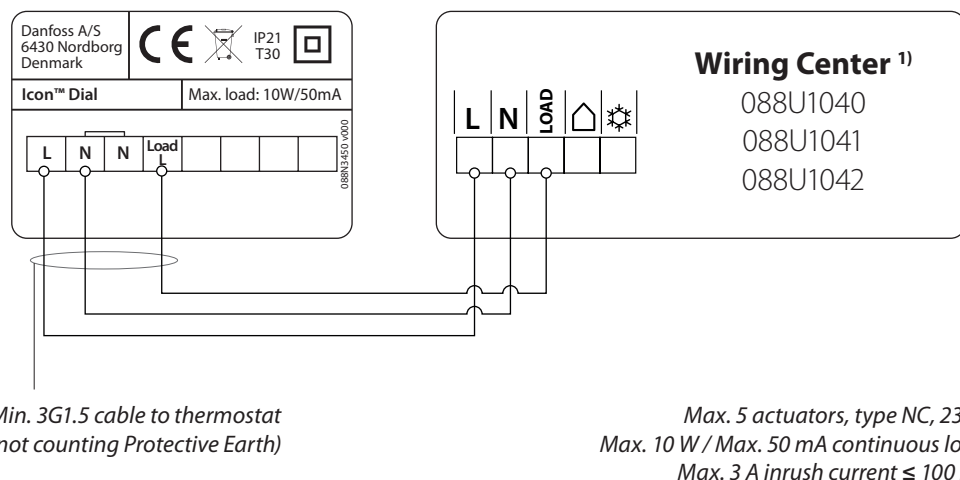
Type	Electronic thermostat with touch user interface
User interface	Capacitive touch and shine through display
User interface features	Heating icon, arrow up/down, confirm key, back key
Display type	Hybrid: red single LED's and custom segment
Display features	Switches OFF after 10 sec. with no interaction
Temperature setting range	5 °C to 35 °C (frost protection setting = 5 °C)
Ambient temperature, storage	-20 °C to +60 °C
Ambient temperature, used in application	0 °C to 40 °C
Controller, type	Adjustable Pulse Width Modulation
Max. continuous load (output)	< 50 mA / 10 W (= 5 pcs. Danfoss TWA actuators)
Max. inrush current (actuator)	3 A ≤ 100 ms
Power consumption	0,2 W
Power supply (excl. actuators)	220-240 V, 50/60 Hz
Sensor, room	47 kΩ NTC
Shell material	White parts: PC ASA Grey parts: PC, 10% glass
IP and Protection class	IP: 21                      Protection class: II
ErP class	 (2%)
Approval	CE, RoHS, WEEE
Colour	White RAL9010 / Dark Grey RAL7024
Dimensions, in-wall versions	80 × 80 × 11 mm (088U1010) 86 × 86 × 11 mm (088U1011) 88 × 88 × 13 mm (088U1012)
Dimensions, on-wall version	86 × 86 × 25 mm (088U1015)

Application examples

Wiring without Wiring Center, neutral wire from main installation

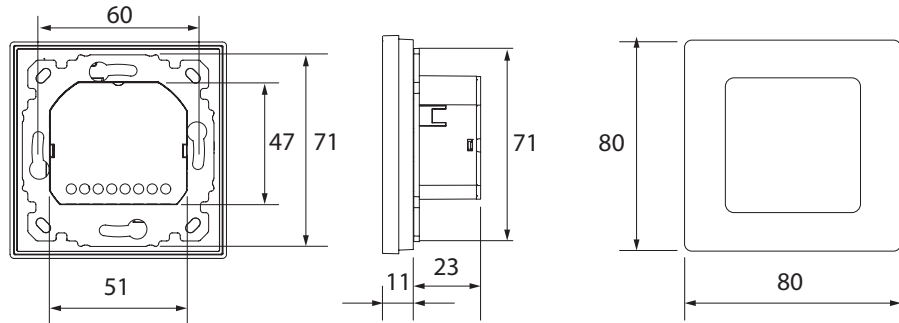


Wiring with Wiring Center

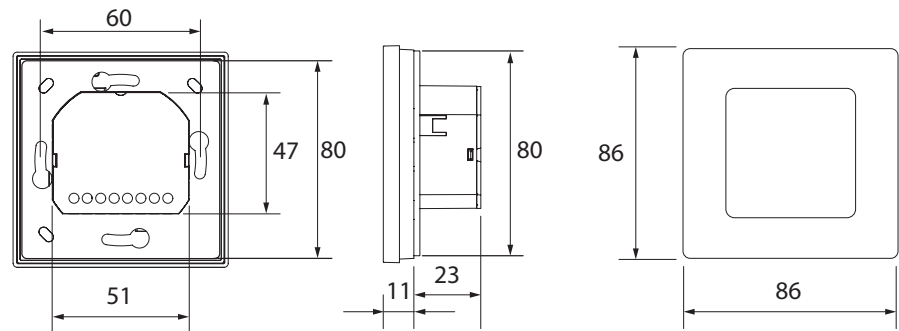


<sup>1)</sup> Note! Wiring Centers only support NC actuators.

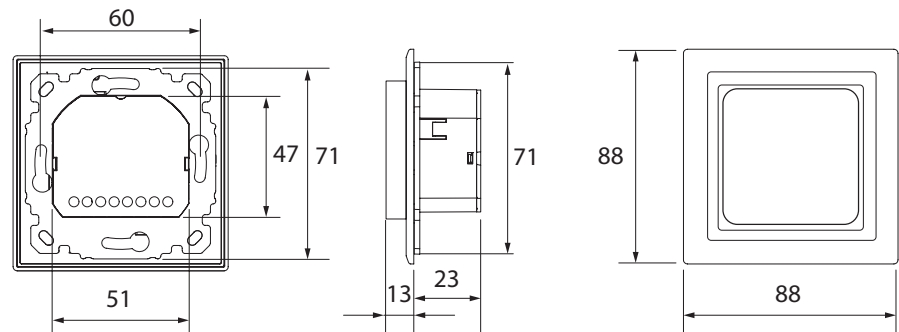
**Dimensions**



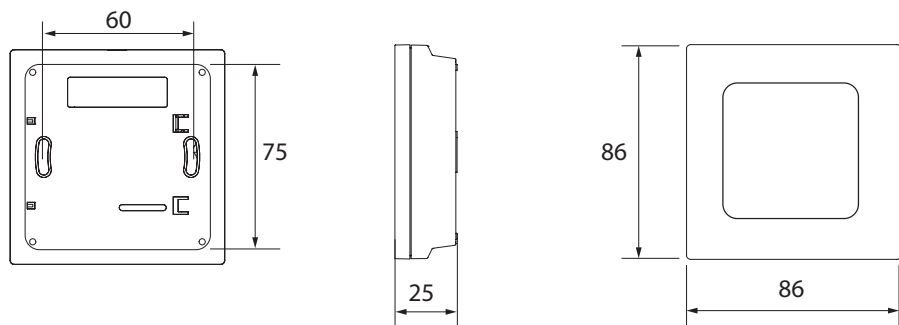
Danfoss Icon™ Display 088U1010



Danfoss Icon™ Display 088U1011



Danfoss Icon™ Display 088U1012 (incl. Feller EDIZIOdue frame and adapter)



Danfoss Icon™ Display 088U1015

**Danfoss A/S**

Climate Solutions • danfoss.com • +45 7488 2222

Any information, including, but not limited to information on selection of product, its application or use, product design, weight, dimensions, capacity or any other technical data in product manuals, catalogues descriptions, advertisements, etc. and whether made available in writing, orally, electronically, online or via download, shall be considered informative, and is only binding if and to the extent, explicit reference is made in a quotation or order confirmation. Danfoss cannot accept any responsibility for possible errors in catalogues, brochures, videos and other material. Danfoss reserves the right to alter its products without notice. This also applies to products ordered but not delivered provided that such alterations can be made without changes to form, fit or function of the product.

All trademarks in this material are property of Danfoss A/S or Danfoss group companies. Danfoss and the Danfoss logo are trademarks of Danfoss A/S. All rights reserved.