

# PARIS

---

## Instruction Book



  
**LACUNZA®**



Lacunza congratulates you on your choice.  
Certified under ISO 9001, Lacunza guarantees the quality of its appliances and undertakes to meet the needs of its customers.

Confident of the know-how afforded by more than 50 years' experience, Lacunza uses advanced technologies in the design and manufacture of its entire range of appliances. This document will help you install and use your appliance in optimum conditions for your comfort and safety.

## CONTENTS

1. PRESENTATION OF THE APPLIANCE .....	3
1.1. General characteristics.....	3
2. INSTRUCTIONS FOR THE INSTALLER.....	9
2.1. Warning to installers.....	9
2.2. Room for installation.....	9
2.2.1. Ventilation of the room.....	9
2.2.2. Location of the appliance in the room.....	10
2.3. Installation of the appliance.....	10
2.3.1. Floor.....	10
2.3.2. Safety distances.....	10
2.3.3. Checks before lighting for the first time.....	10
2.3.4. Height adjustment and levelling the appliance.....	10
2.3.5. Preparing the outside air connection.....	10
2.3.6. Connection to the flue.....	11
2.3.7. Turbine-potentiometer connection.....	11
2.4. Chimney flue.....	12
2.4.1. Type of flue.....	12
2.4.2. Chimney crown.....	13
2.5. Installation of Paris Mural.....	13
3. INSTRUCTIONS OF USE .....	14
3.1. Fuel.....	14
3.2. Description of the parts of the appliance.....	15
3.2.1. Operating components.....	15
3.3. Lighting.....	16
3.4. Safety.....	16
3.5. Loading fuel.....	16
3.6. Operation.....	16
3.7. Removing ash.....	17
3.8. Deflectors.....	17
3.9. Electrical system.....	18
4. MAINTENANCE AND IMPORTANT ADVICE.....	19



4.1. Maintenance of the appliance.....	19
4.1.1. Firebox .....	19
4.1.2. Inside the appliance .....	19
4.1.3. Flue socket .....	19
4.1.4. Firebox glass.....	19
4.1.5. Painted sheet-steel-cast-iron parts.....	19
4.1.6. Electrical system .....	19
4.1.7. Air intake registers.....	20
4.2. Maintenance of the chimney flue .....	20
4.3. Important advice.....	20
5. TROUBLESHOOTING.....	21
6. BASIC BREAKDOWNS .....	22
7. PRODUCT RECYCLING.....	26
8. DECLARATION OF PERFORMANCE .....	27
9. CE MARK.....	35

## 1. PRESENTATION OF THE APPLIANCE

For optimum operation of the appliance, we advise you to read this manual carefully before switching on the appliance for the first time. In case of problems or concerns, we urge you to contact your dealer, who will cooperate with you.

In order to improve the product, the manufacturer reserves the right to make changes without notice by updating this document.

This appliance is designed to burn wood in absolutely safe conditions.

**WARNING:** Faulty installation may have serious consequences.

Installation and all necessary regular maintenance operations must be performed by an authorized installer in full accordance with the specifications set out in the legislation applicable in each country and this instruction book.

### 1.1. General characteristics

	Unit	PARIS 700	PARIS 700 CLID	PARIS 800	PARIS 800 CLID	
Operating appliance	-	Intermittent				
Appliance classification	-	Type CM	Type BE	Type CM	Type BE	
Preferred fuel	-	Wood logs (Humidity<25%)				
Indirect heating functionality	-	NO				
Values at Nominal Output	Nominal output to atmosphere (Direct) ( $P_{nom}$ )	kW	8	9.5	10	10
	Efficiency at $P_{nom}$ ( $\eta_{nom}$ )	%	78	80	79	79.5
	CO emission at 13% O <sub>2</sub> at $P_{nom}$ ( $CO_{nom}$ )	mg/m <sup>3</sup>	1125	1123	750	1153
	NO <sub>x</sub> emission at 13% O <sub>2</sub> at $P_{nom}$ ( $NO_{xnom}$ )	mg/m <sup>3</sup>	115	112	123	118
	OGC emission at 13% O <sub>2</sub> at $P_{nom}$ ( $OGC_{nom}$ )	mg/m <sup>3</sup>	69	65	64	67
	PM emission at 13% O <sub>2</sub> at $P_{nom}$ ( $PM_{nom}$ )	mg/m <sup>3</sup>	29	27	30	27
	Optimum flue draught at $P_{nom}$ ( $P_{nom}$ )	Pa	12	12	12	12
	Gas temperature of flue at $P_{nom}$ ( $T_{nom}$ )	°C	287	255	316	283
	Gas temperature on the flue socket flange at $P_{nom}$	°C	344	320	380	313
	Log load frequency at $P_{nom}$	h	1	1	1	1
	Gas mass flow at $P_{nom}$	g/s	7.1	8	7.4	8.8
	Wood consumption (beech) at $P_{nom}$	kg/h	2.5	2.9	2.8	3.2
	Chimney temperature class	-	T400	T400	T400	T400
Dimensions of the firebox						
Width	mm	604	660	704	760	
Depth	mm	290	290	290	290	
Useful height	mm	235	235	235	235	
Maximum length of the logs	cm	60	60	70	70	
Volume heated (45W/m <sup>3</sup> ) at $P_{nom}$	m <sup>3</sup>	178	211	222	222	
Capacity of the ashpit	L	0.9	0.9	0.9	0.9	
Weight	kg	112 (Mural 85)	112 (Mural 85)	123 (Mural 94)	123 (Mural 94)	
Flue socket diameter ( $d_{out}$ )	mm	150	150	150	150	
Voltage (AC)	V	230	230	230	230	
Frequency	Hz	50	50	50	50	
Maximum electricity consumption ( $e_{lmax}$ )	kW	0.024	0.024	0.024	0.024	



Minimum electricity consumption ( $e_{l_{min}}$ )	kW	0	0	0	0
Auxiliary electricity consumption in standby mode ( $e_{l_{SB}}$ )	kW	0	0	0	0
Type of heat output/room temperature control	Single stage heat output, no room temperature control				
Energy efficiency class	-	A	A	A	A
Energy efficiency index (EEI)	-	103	106	104	105
Seasonal Energy Efficiency of space heating ( $\eta_s$ )	%	68	70	69	69

**Note:** The values indicated in the above table are based on tests performed in accordance with UNE-EN 13229, with logs with no more than 18% humidity and pressure conditions as indicated in each case.

**Warning:** this appliance is designed and prepared to work with the types of fuel, degree of humidity of the fuel, fuel loads, fuel load frequencies, flue draught and system of installation indicated in this Instruction Book. Failure to respect these conditions may lead to problems with the appliance (deterioration, shorter useful life, etc.) which are not covered by the Lacunza warranty.

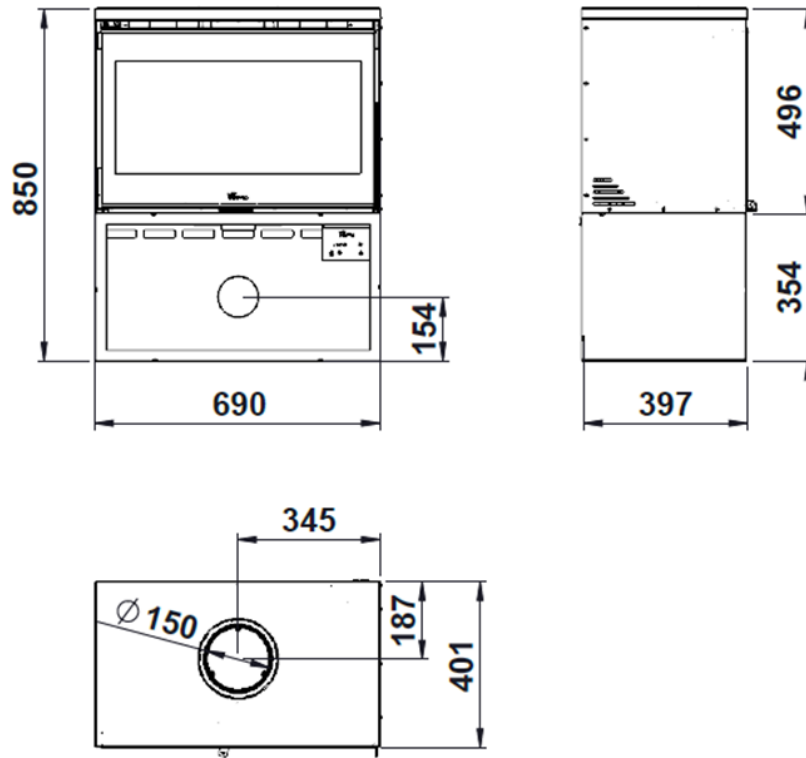


Figure No.1 - Dimensions of the PARIS 700 appliance in mm

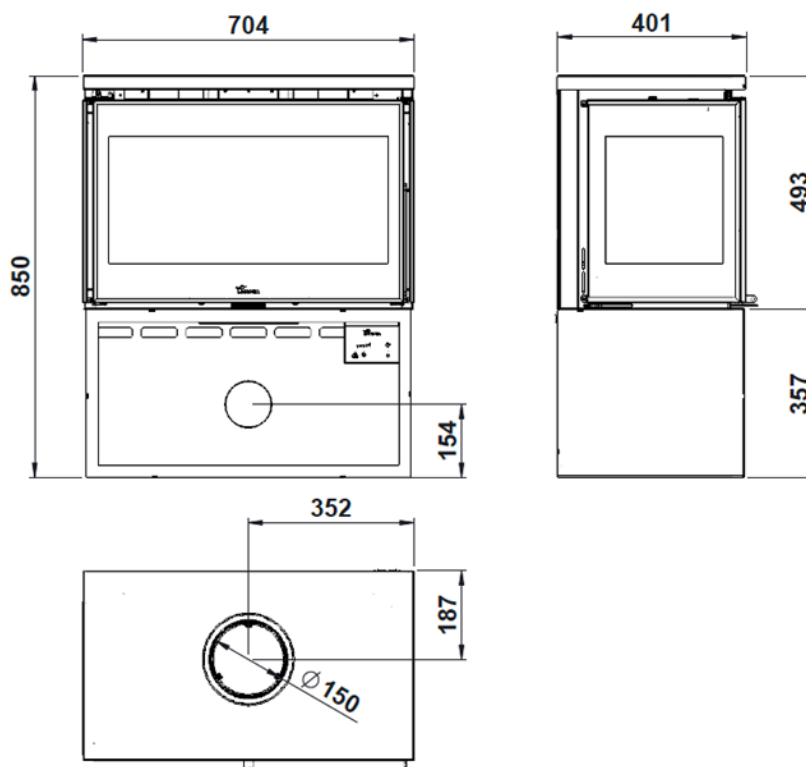


Figure No.2 - Dimensions of the PARIS 700 CLID appliance in mm

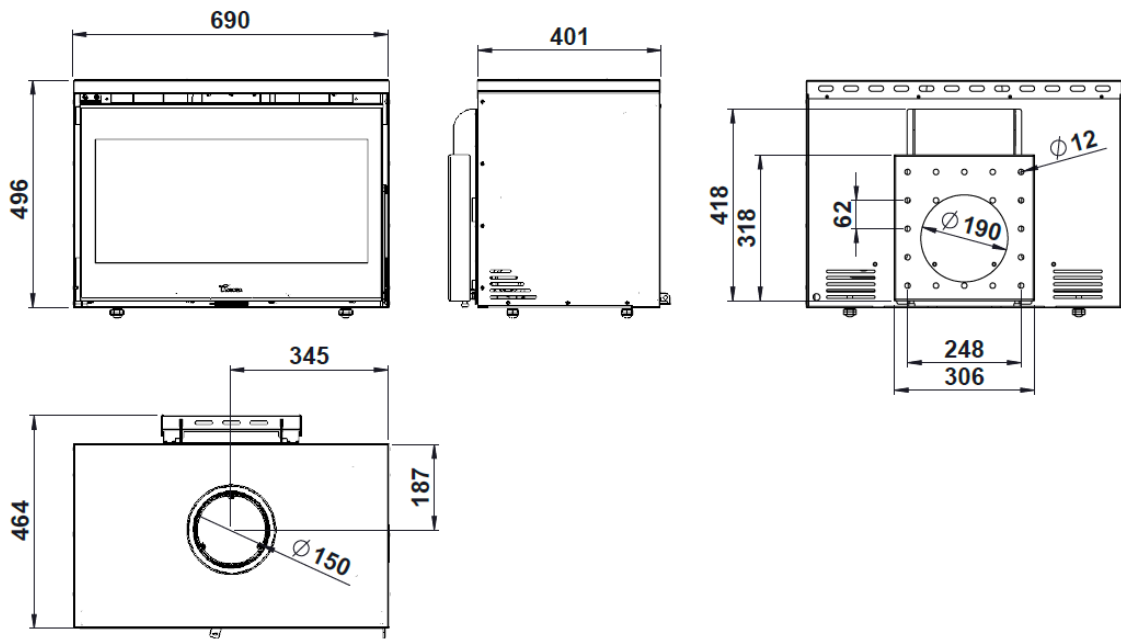


Figure No.3 - Dimensions of the PARIS 700 MURAL appliance in mm

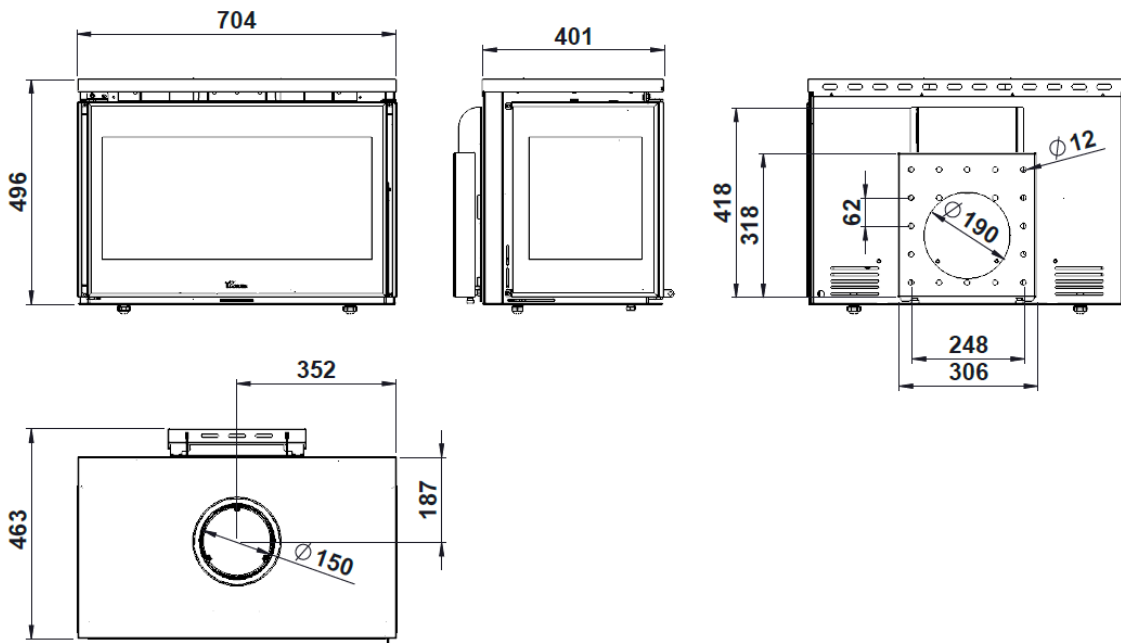


Figure No.4 - Dimensions of the PARIS 700 CLID MURAL appliance in mm

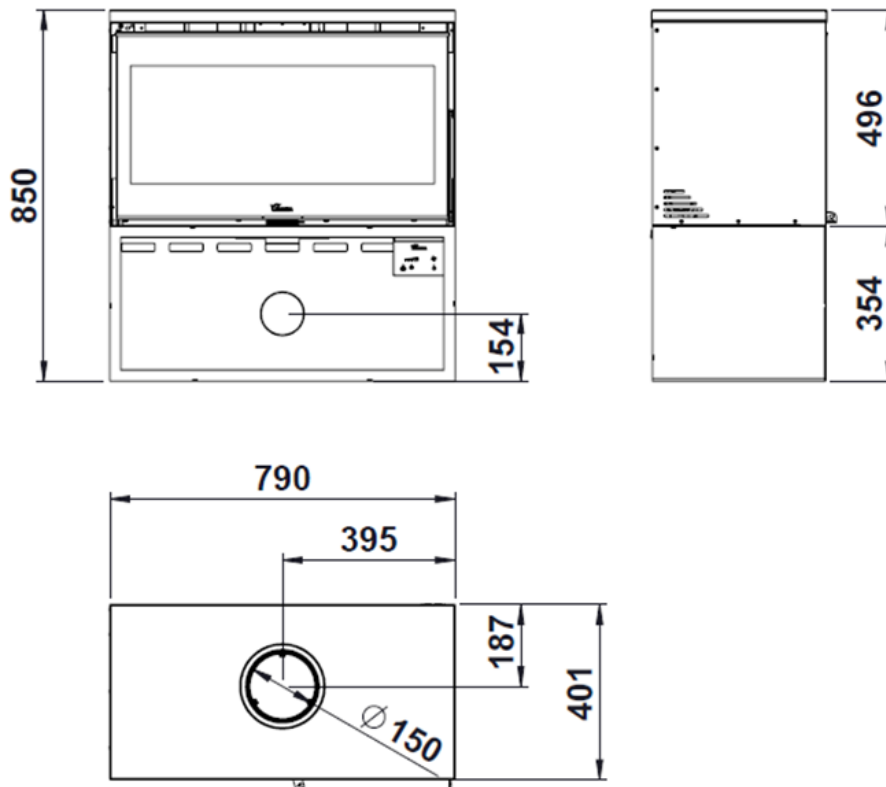


Figure No.5 - Dimensions of the PARIS 800 appliance in mm

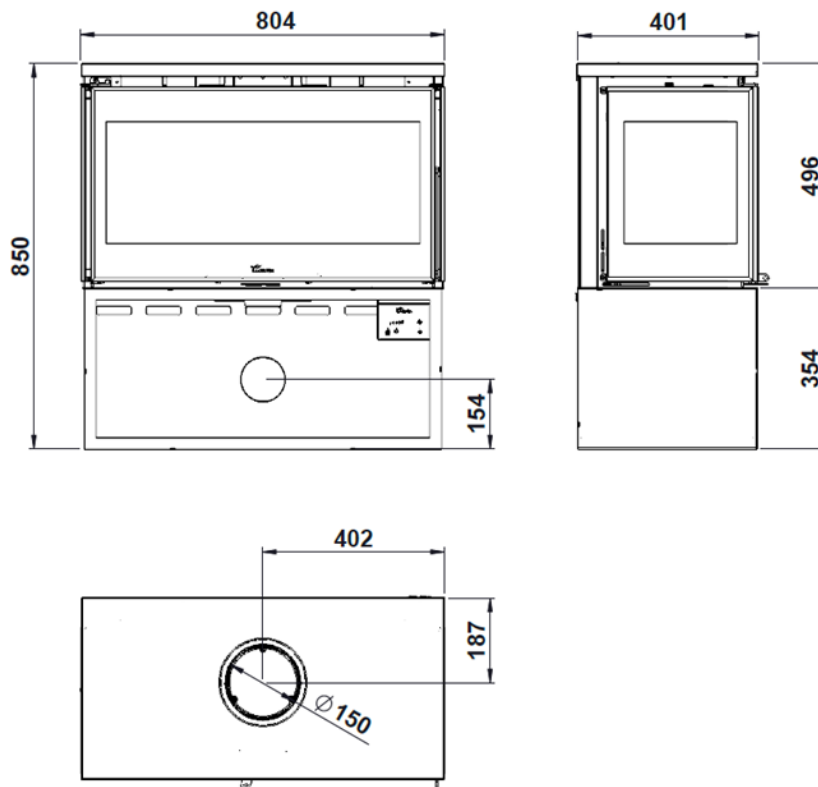


Figure No.6 - Dimensions of the PARIS 800 CLID appliance in mm



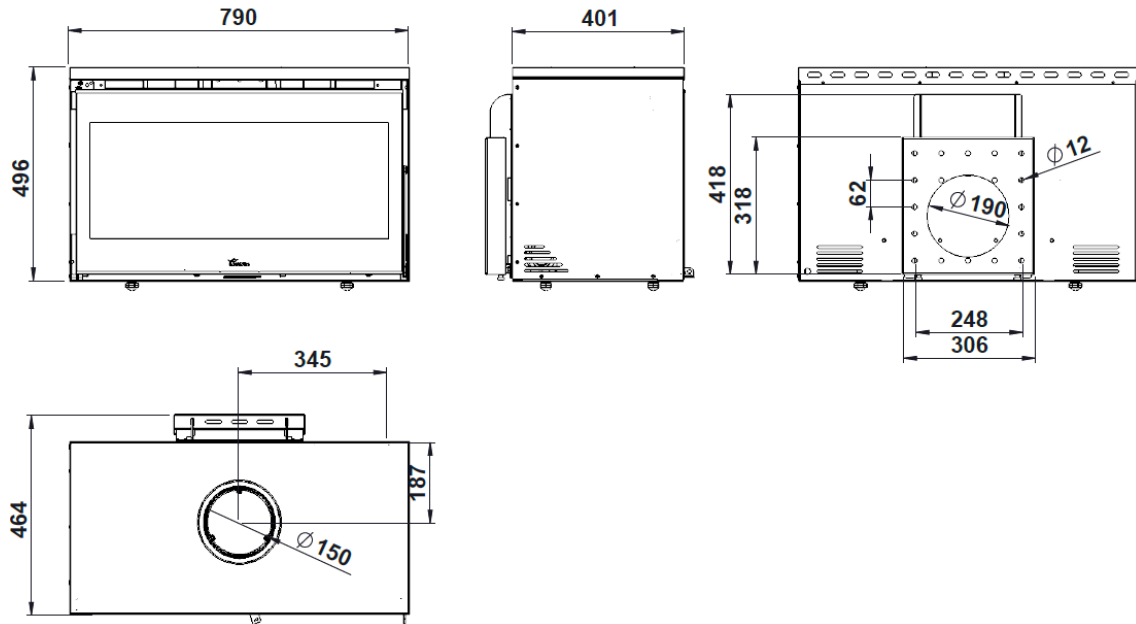


Figure No.7 - Dimensions of the PARIS 800 MURAL appliance in mm

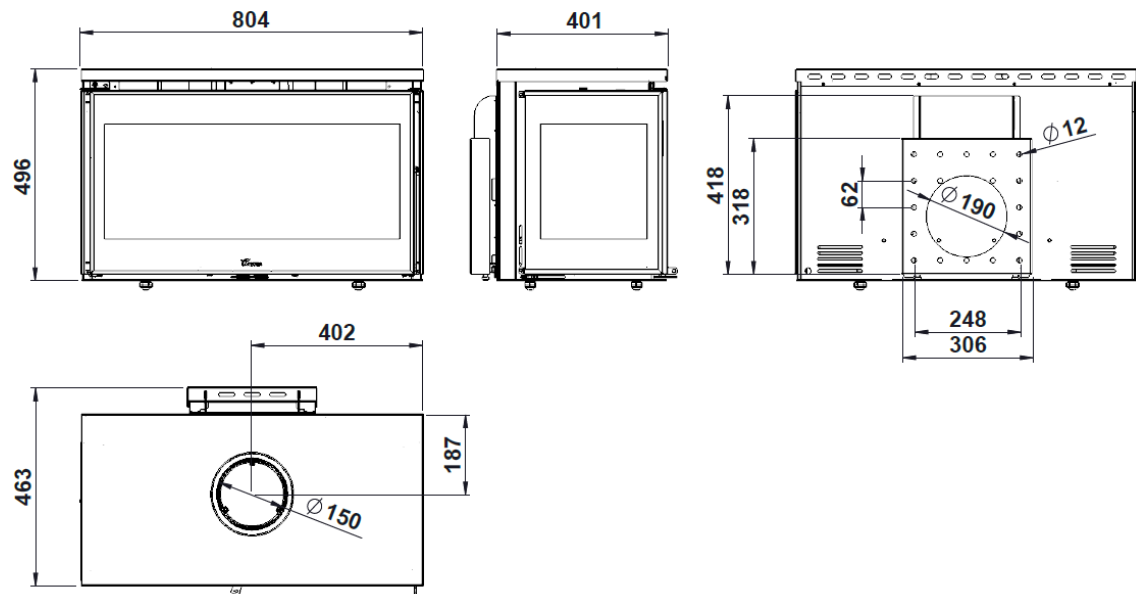


Figure No.8 - Dimensions of the PARIS 800 CLID MURAL appliance in mm

## 2. INSTRUCTIONS FOR THE INSTALLER

### 2.1. Warning to installers

All local and national regulations, including all those referring to national and European standards, must be observed when installing the appliance.

Installation of the appliance must be performed by an authorised installer.

An incorrectly installed appliance may lead to serious incidents (fires, creation of harmful gases, deterioration of nearby fixtures, etc.).

Lacunza's liability is limited to the supply of the material and does not include installation of the appliance.

### 2.2. Room for installation

#### 2.2.1. Ventilation of the room

The appliance needs to consume oxygen (air) in order to work properly. Ensure a suitable air supply in the room in which the appliance is fitted. This quantity of oxygen is additional to the oxygen that we need in order to breathe (air renewal).

In order to ensure the high quality of the air you breathe and to avoid potential accidents resulting from high concentrations of the gases produced by combustion (mainly carbon dioxide and carbon monoxide), it is absolutely crucial to ensure the suitable renewal of the air in the room in which the appliance is fitted.

the room must always have at least two permanent grilles or openings to the exterior in order to renew the air (one for intake and the other for extraction).

For the installation of its appliances, Lacunza recommends an additional section for these openings. One of these two grilles must be situated high up in the room (at less than 30 cm from the ceiling)

and the other one low down (at less than 30 cm from the floor). Both grilles must open outdoors in order to renew the air in the room with fresh air.

The air inlet grilles must be positioned so that they cannot be blocked or closed accidentally.

The minimum section that each of these grilles must have depends on the nominal output of the appliance in accordance with the following table:

Output of the appliance (kW)	Minimum additional section of each of the grilles (cm <sup>2</sup> )
$P \leq 10\text{kW}$	70
$10 < P \leq 15$	90
$15 < P \leq 20$	120
$20 < P \leq 25$	150
$25 < P \leq 30$	180
$30 < P \leq 35$	210
$P > 35$	240

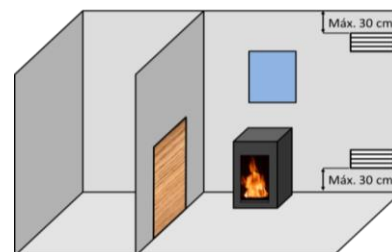


Figure No.9 - Guideline indications for ventilation grilles

In the case of appliances on which it is possible to pipe combustion air in from outdoors (appliances type BE, BF, CA, CM y CC), the specifications described in the table above are not necessary.

The appliance must always be used with the door closed.

In rooms equipped with Controlled Mechanical Ventilation, the system extracts and renews the ambient air; in such cases, the room is at slightly low pressure and it is necessary to install a non-closable outside-air inlet with a section of at least 90 cm<sup>2</sup>.

### 2.2.2. Location of the appliance in the room

Choose a location in the room which favours good hot-air distribution by convection and radiation.

## 2.3. Installation of the appliance

### 2.3.1. Floor

Make sure that the base can withstand the total constructed weight of the appliance and its casing.

When the floor surface (base) is combustible, fit suitable insulation.

### 2.3.2. Safety distances

Be sure to respect the appliance installation distances from **combustible materials**. Looking at the appliance head-on:

PARIS 700 / PARIS 700 CLID

PARIS 800 / PARIS 800 CLID:

	Distance to combustible materials (mm)
From the right side	800
From the left side	800
From the rear	400
From the front	800

PARIS 700 MURAL

PARIS 700 CLID MURAL

PARIS 800 MURAL

PARIS 800 CLID MURAL :

	Distance to combustible materials (mm)
From the right side	800
From the left side	800
From the rear	Incombustible
From the front	800

**Attention!** In the case of Paris Mural, the wall must be non-combustible and

must withstand the weight of the appliance.

Bear in mind that it may even be necessary to protect non-combustible material in order to prevent breakage, deformation, etc., as a result of overheating if the non-combustible material is not designed to withstand high temperatures. A safety distance of 25 cm must be left to isolating materials of type MO.

### 2.3.3. Checks before lighting for the first time

- Make sure that the glass is not broken or damaged.
- Make sure that the flueway is not obstructed with packing or loose parts.
- Make sure that the airtight joints on the flue circuit are in perfect condition.
- Make sure that the doors close properly.
- Make sure that all moving parts are fitted in place.
- Check that the deflector is fitted properly.

### 2.3.4. Height adjustment and levelling the appliance

The appliance must be perfectly level, horizontally and vertically, both at the front and on the sides (use a spirit level).

### 2.3.5. Preparing the outside air connection

On this model, it is possible to pipe air to the appliance for combustion straight from outdoors. We recommend that, if possible, air be drawn from outdoors for combustion via a non-closable pipe with a diameter of 80mm leading to the nozzle on the bottom-front of the appliance.

If the tube is straight, it can have a maximum of 12 meters in length. If you use accessories like elbows, you must

subtract the total length (12 meters) 1 meter for each accessory used.

This is the best option because it means that draughts are not created in and oxygen is not consumed from the room in which the appliance is fitted. A further advantage is that there is no danger of downdraught which may hinder the correct updraught of the appliance when an extractor or mechanical ventilation appliance is used in the same room as the central-heating appliance or in another one alongside it.

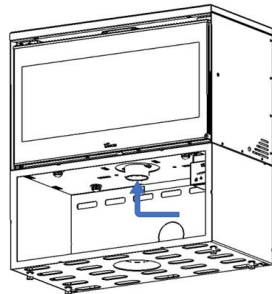


Figure No.10 - Air conduction for the combustion chamber

If this is not possible, ensure that the appliance receives air for combustion.

The device has an accessory to channel the air inlet from the rear. This accessory is **NOT** shipped as standard with the device.



Figure No.11 - Accessory to channel the air inlet from the rear

There is also the possibility of air ducting from the rear, by using the half-cuts in the leg.

**Outside air connection via the wall**

1. Make an opening in the wall (see the measurements of the appliance on

the section 1.1 to see the exact position of the hole).

2. Close the air connection hermetically to the wall.

**2.3.6. Connection to the flue**

The appliance must be connected to the chimney flue using special piping designed to resist the products of combustion (e.g. stainless steel, enamelled steel, etc.).

To connect the flue to the socket flange, insert the piping inside the flange and seal the joint with fire sealant or fire cement to make it completely airtight.

The installer must ensure that the pipe connected to the appliance is well secured and there is no chance of it coming free from its housing (e.g. as a result of dilatation due to temperature, etc.).

On this appliance, the flue socket can be fitted on top of the appliance.

**2.3.7. Turbine-potentiometer connection**

These are the connection instructions in order to control the ventilator system using the supplied potentiometer.

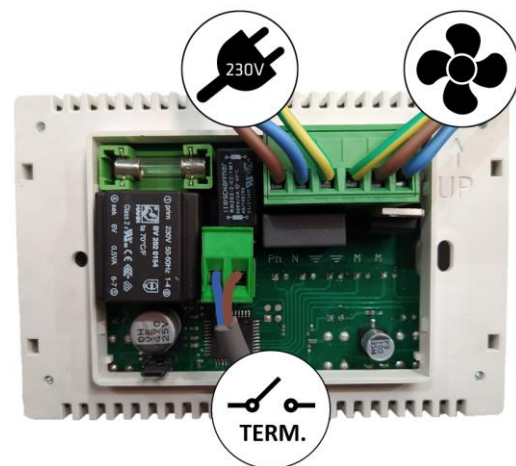


Figure No.1 - Connections to be carried out in the potentiometer

**WARNING:** the operating temperature of the potentiometer supplied by Lacunza is from 0 to 40°C. Particular

care should be taken when choosing where it will be positioned so that it is not damaged by temperatures above 40°C. Insulate the potentiometer correctly so as to avoid this problem.

Read the potentiometer instruction manual.

## **2.4. Chimney flue**

The chimney flue must comply with present standards on the installation of chimneys.

In rooms equipped with Controlled Mechanical Ventilation, the ventilation outlet must never be connected to the flue.

The appliance must always have its own chimney flue, never sharing a chimney flue with another appliance.

### **2.4.1. Type of flue**

The flue must be made of special material designed to resist the products of combustion (e.g. stainless steel, enamelled steel, etc.).

Non-central-heating appliances (without back boiler) require an insulated, double-sleeve flue only on those sections that run outdoors or through cold areas. Single piping can be used inside the building, the heat of the gases serving to heat rooms, insulating only those sections where excess temperature may cause damage.

If the chimney is constructed, then it is necessary to pipe and insulate it to ensure correct updraught.

The diameter of the pipe must be the same as the diameter of the flue socket on the appliance over its entire length in order to ensure correct operation.

The flue must prevent the entry of rainwater.

The flue must be clean and airtight over its entire length.

The flue must be at least 6m tall and the chimney cap must not hinder the free release of gases.

If the flue tends to suffer from downdraught, then it is necessary to fit an effective anti-downdraught cowl, a static cowl or a smoke extraction fan, or reshape the chimney.

Never make 90° bends, due to the great loss of draught they cause, and reduce 45° bends down to an absolute minimum. Each 45° bend is equivalent to a 0.5m reduction in flue length. Horizontal flue sections should not be installed because they cut updraught a great deal.

The appliance is designed to operate under controlled draught conditions. The appliance must operate at a chimney draught of between 12Pa and 15Pa. To ensure this draught, an automatic draught moderator must be installed in the flue. Uncontrolled draught operation can lead to quick damage of the appliance, which will not be covered by the warranty.

The flue must not rest its weight on the appliance, as this could damage the worktop.

Bear in mind that high temperatures may be reached in the flue, meaning that it is essential that insulation be enhanced in sections in which combustible material is present (wooden beams, furniture, etc.). It may even be necessary to protect non-combustible material in order to prevent breakage, deformation, etc., as a result of overheating if the material is not designed to withstand high temperatures.

It must be possible to clean the entire flue, no sections being left inaccessible for cleaning purposes.

### 2.4.2. Chimney crown

The upper end of the chimney must clear the roof, the roof ridge or any obstacle located on the roof by at least 1m.

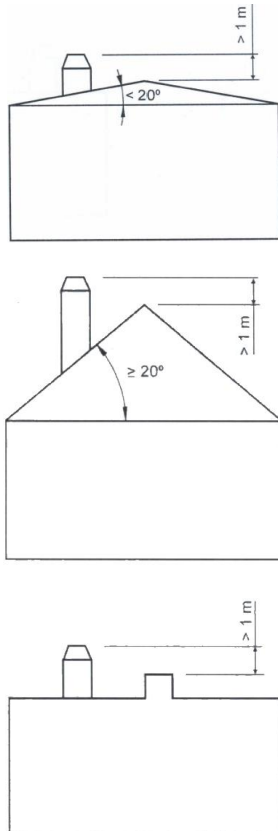


Figure No.2 - Distances between chimney crown and roof ridge

The chimney crown must clear the highest point of any neighbouring building or obstacle located within a 10m radius of the chimney outlet by more than 1m.

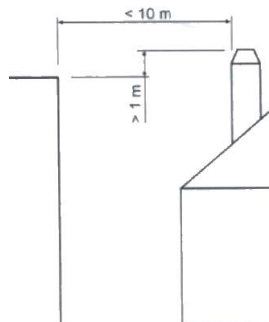


Figure No.3 - Distances between the chimney crown and objects within a 10m radius

The chimney crown must clear any neighbouring building or obstacle located within a radius of 10m to 20m from the chimney outlet.

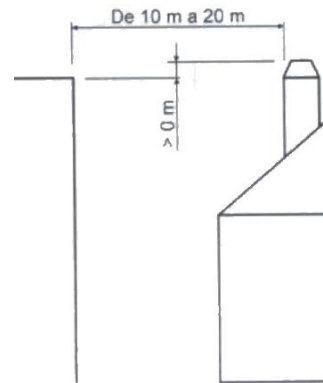


Figure No.4 - Distances between the chimney crown and objects within a radius of between 10 and 20m

### 2.5. Installation of Paris Mural

The Paris Mural can only be installed on a solid concrete structure 20 cm wide. The customer must ensure that the wall will support the weight of the appliance.

Lacunza recommends using Mxt M6x45 Ø8 screws spread evenly across the support.

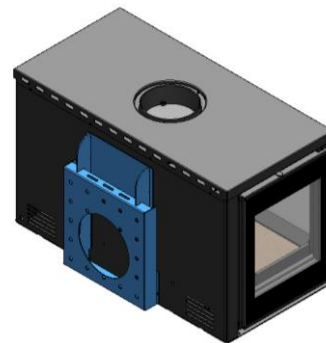


Figure No.5 - Paris Mural

### 3. INSTRUCTIONS OF USE

The manufacturer accepts no liability whatsoever for damage caused to parts as a result of the improper use of non-recommended fuels, modifications made to the appliance or how it is installed.  
**Only use original replacement parts.**

All local and national regulations, including those referring to national and European standards, must be observed when using the appliance.

Heat is diffused by radiation and convection via the front and exterior of the appliance.

#### 3.1. Fuel

This appliance must not be used as an incinerator. Do not use non-recommended fuels.

- Use dry logs (max. 16% humidity), cut at least 2 years ago, clean of resin and stored in a sheltered, ventilated place.
- Use hard woods with high calorie values and good ember production.
- Large logs should be cut to useable lengths before being stored. The logs should have a maximum diameter of 150mm.
- Finely chopped wood produces greater heat output, but also burns more quickly.

Optimum fuels:

- Beech.

Other fuels:

- Oak, chestnut, ash, maple, birch, elm, etc.

- Pine and eucalyptus logs are low density and produce very long flames and may cause the parts of the appliance to wear out more quickly than normal.

- Resinous wood may mean that the appliance and the flue need to be cleaned more often.

Non-permitted fuels:

- All types of coal and liquid fuel.
- “Green wood”. Green or damp wood reduces the performance of the appliance and leads to soot and tar build-up on the inner walls of the flue, obstructing it.
- “Recovered wood”. The burning of treated woods (railway sleepers, telegraph posts, plywood, fibreboard, pallets, etc.) quickly blocks the system (soot and tar build-up), harms the environment (pollution, smells) and may lead to deformation of the firebox due to overheating.
- All materials which are not wood (plastic, spray cans, etc.).
- Never use gasoline, gasoline-type lamp fuel, paraffin, charcoal lighter fluid, ethyl alcohol or similar liquids to ignite or rekindle a fire in the equipment. Keep all such liquids away from the equipment while it is in use.

Green and reprocessed wood may cause chimney fires.

The graph below shows how the humidity of firewood affects its heat output:

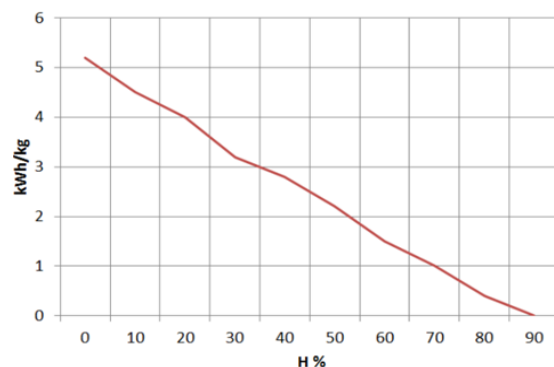


Figure No.6 - Relationship between firewood humidity and heat output

## 3.2. Description of the parts of the appliance

### 3.2.1. Operating components

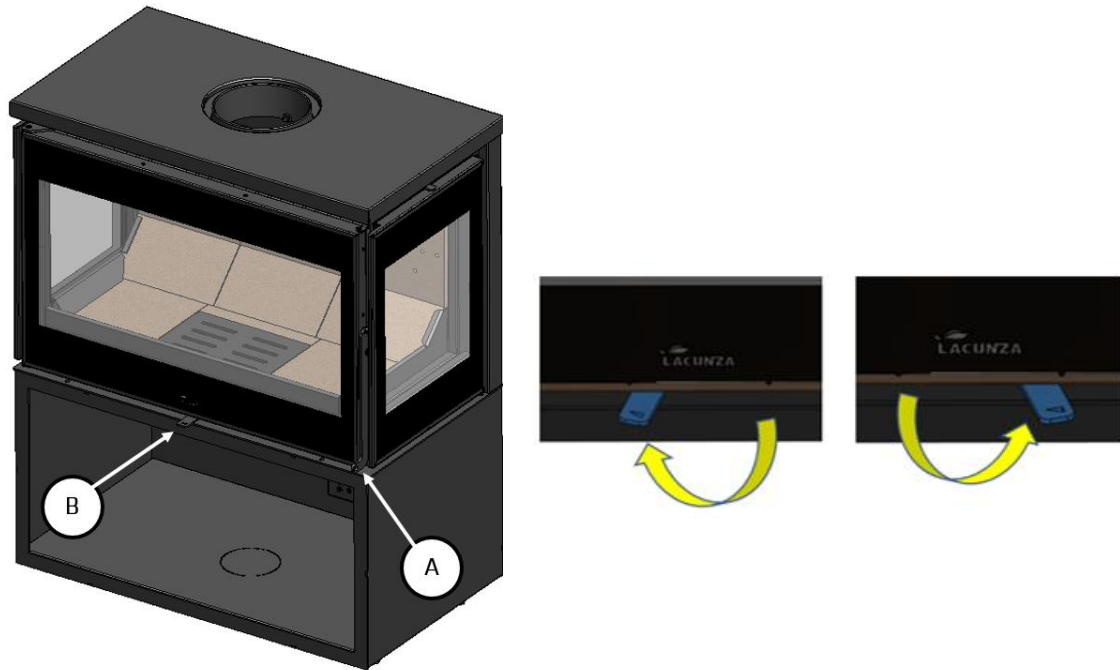


Figure No.7 - Operating components on the appliance

- A: Firebox door handle
- B: Air intake
  - B1 Closed (left)
  - B2 Opened (right)



### 3.3. Lighting

Use of the appliance in warm weather (warm days, early hours of the afternoon on sunny days) may lead to lighting and updraught problems.

Certain weather conditions, such as fog, ice, humidity entering the flue, etc., may hinder sufficient updraught in the flue and lead to suffocation.

Proceed as follows in order to light the appliance satisfactorily:

- Open the firebox door(s) and open all the firebox air-intake inlets to the full.
- Place paper or a firelighter and some wood chips in the firebox.
- Light the paper or firelighter.
- Leave the door slightly ajar, the width of two or three fingers, for about 15 minutes until the glass warms up.

**Caution:** On first switch-on, the appliance may produce smoke and odour. Do not be alarmed and open a window to the outside to air the room during the first hours of operation.

If you notice water around the appliance, this is caused by condensation from the moisture in the wood when the fire is lit. This condensation will cease after three or four ignitions when the appliance is adapted to its flue. If this is not the case, the flue should be checked (length and diameter of the chimney, chimney insulation, tightness) or the humidity of the wood used.

### 3.4. Safety

Do not store combustible materials beneath the appliance.

### 3.5. Loading fuel

In order to load firewood, open the firebox door gently, preventing the sudden entry of air to the firebox so that smoke does not enter the room that the appliance is installed in. Perform this operation with the glove to prevent burns to the hands.

The maximum height of the load shall be approximately one third of the height of the firebox.

The minimum interval between loads for nominal heat output is 60 minutes.

Always load with the nominal amount (see table in section 1.1).

For minimum burning (e.g. at night), use thicker logs.

When the firebox is loaded, close the door.

Be careful when placing logs in the firebox on appliances with vermiculite interiors. Vermiculite is a fragile material and may crack if knocked. The use of wood with non-recommended humidity levels will quickly damage the vermiculite parts.

### 3.6. Operation

The appliance should be operated with the door closed.

For safety reasons, never close all the appliance's combustion-air intakes.

**Regulation of the air intake for combustion.**

The appliance is equipped with a single control to regulate the primary, secondary and double combustion air intake.

By opening this register, we introduce air into the combustion chamber through the upper part of the firebox door and through the double combustion holes at the back of the firebox, and from one

point, we introduce air into the combustion chamber through the grate.

#### Air inlet registers.

By opening these registers, we introduce air into the combustion chamber through the upper part of the firebox door and into the combustion flame, thus generating a more efficient and less polluting combustion, as we carry out a post-combustion by burning the particles burnt in the first combustion. In this way we increase the appliance's performance and reduce emissions.

**IMPORTANT:** Keeping this register open will delay the dirtying of the firebox glass.

In order to obtain maximum output, open all the air intakes to the firebox and in order to obtain minimum output, tend towards closing them. For normal use, we recommend leave the Secondary open.

**IMPORTANT:** The appliance is exposed to extreme changes in temperature and may, as a result, make noises when in operation. These noises are a natural result of expansion/contraction of the parts which make up the appliance. Do not be alarmed by noises of this kind.

In class B or BE appliances (without combustion air ducting from the street), when the appliance is not in use, the appliance-flue duct assembly may represent a heat leakage route to the street. When the appliance is not in use, it is advisable to leave the air inlet registers to the combustion chamber closed to minimise these energy losses.

### 3.7. Removing ash

Following sustained use of the appliance, it is necessary to remove the ash from the firebox. Remove the ashpit box when cold or using something to prevent yourself from getting burned (glove).

Never throw hot embers into the rubbish.

Access the ashpit by opening the door on the appliance.

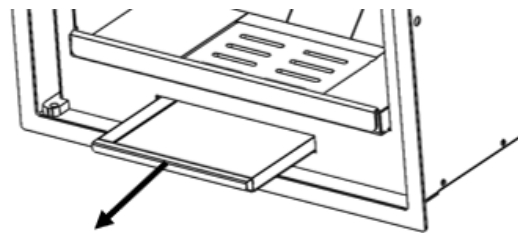
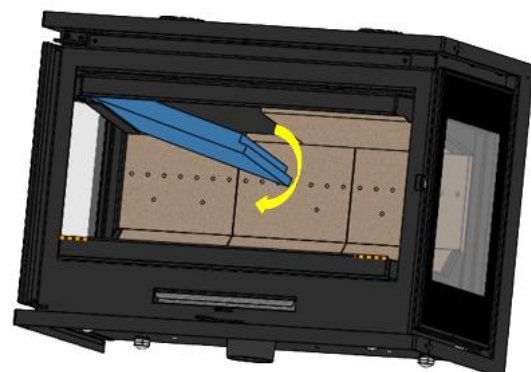
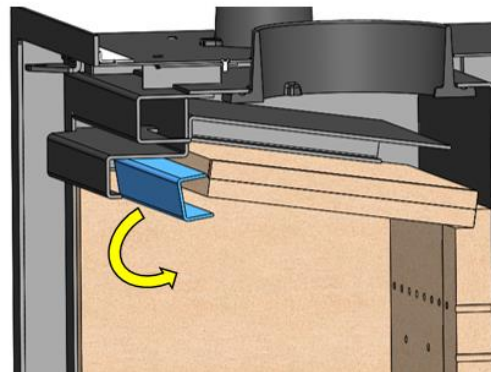


Figure No.8 - Remove ashpit.

**Warning!** It is very important to put the ashpit back in its housing at the bottom of the firebox after emptying it of ashes and before lighting the fire again! Do this by following the extraction process in reverse order.

### 3.8. Deflectors

The appliance has 2 deflectors.



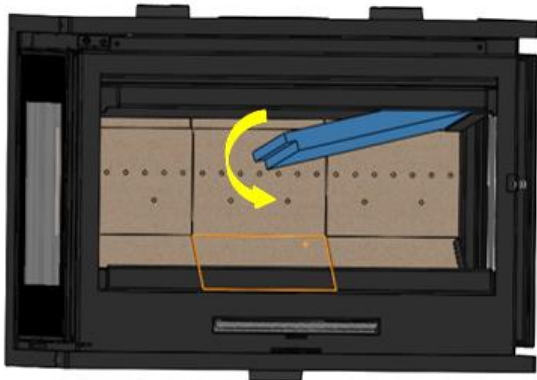


Figure No.1 - *Dismantling the vermiculite deflector*

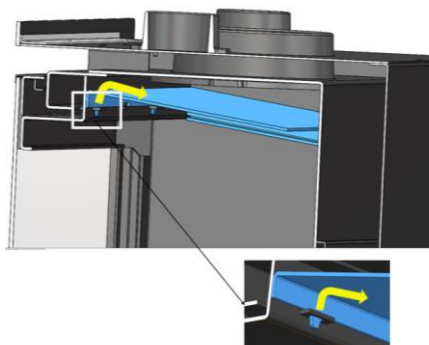
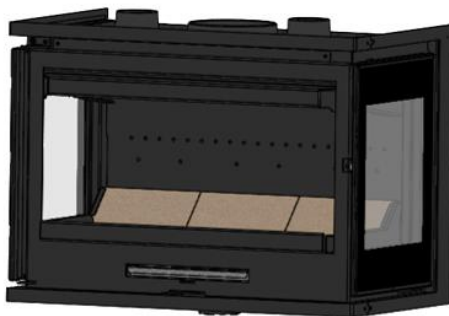
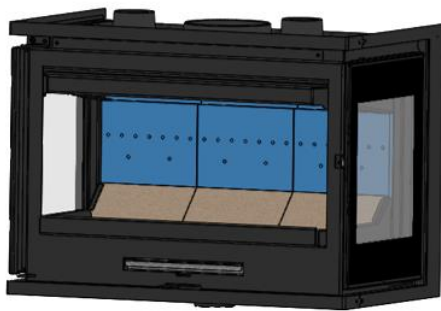


Figure No.2 - *Dismantling the steel deflector*

### 3.9. Electrical system

PARIS models have 1 fan for the forced convection of the hot air generated around the appliance inside the shell.

**IMPORTANT:** This appliance is not covered by our warranty unless directly connected to the mains electricity supply in accordance with the conditions described in the relevant section in 1.1.

#### Potentiometer operation:

By means of its rotating lever, the potentiometer controls the flow of hot-air output from the appliance in two ways:

- **Automatic mode:**

The fan automatically or manually starts working at the set speed. When the fan is working automatically (recommended), when a fire has been lit in the firebox and the thermostat reaches a temperature of approximately 50°C, the fan starts working at the power set on the potentiometer (rotating wheel) and stops automatically when the temperature drops beneath 50°C.

There is also the option to stop the turbines from the Stop button at any time.



The potentiometer has a remote control, which allows the same operations as the potentiometer.

For more information see the potentiometer instruction manual.

## 4. MAINTENANCE AND IMPORTANT ADVICE

### 4.1. Maintenance of the appliance

The appliance, the flue connector piping and the flue must be cleaned regularly, particularly following long periods without use.

#### 4.1.1. Firebox

Clean the firebox area of ash, etc.

#### 4.1.2. Inside the appliance

Clean the firebox area of ash. Clean the deflectors, where soot may build up.

#### 4.1.3. Flue socket

The flue socket area must be kept clean at all times for the appliance to work properly.

It must be cleaned as often as required. How often it is cleaned depends on how much the appliance is used and the type of fuel employed.

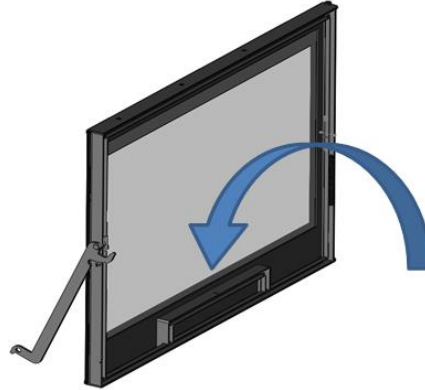
#### 4.1.4. Firebox glass

To keep the glass as clean as possible for as long as possible, the secondary air register should be kept open. However, over the hours of use, the glass may become dirty. To clean it, we will use specific degreasing products or dry-cleaning products for this task.

The cleaning should be carried out with the glass cold and taking care not to apply the glass cleaner directly on the glass as, if it comes into contact with the door's closing cord, it may deteriorate. Put the cleaning product on the cloth.

It is also important to prevent the cleaning liquid from getting into the moving mechanism of the register, as this could jam it.

**Attention**, never let the product drip into the lower part of the glass. The accumulation of the cleaning product, with soot or ash residues, can damage the screen printing on the glass.



**Note:** If we use the appliance in draught conditions higher than 15Pa or burn more wood (per hour) than those indicated in table 1.1, we will subject the appliance to working conditions higher than those designed for it. This can lead to aggressive fouling of the glass (white halo), which cannot be cleaned by the traditional method.

**Caution**, the vitro ceramic glass is prepared to support 700°C. Never let burning woods or combustion flame beating against the glass for prolonged periods of time. In this case, the glass would be submit to temperatures above 750°C, this could change the internal structure of the glass and make it opaque (irreversible phenomenon).

#### 4.1.5. Painted sheet-steel-cast-iron parts.

These parts should be cleaned with a brush or dry cloth. Do not dampen the parts: the steel could rust and the paint could blister and chip. Be particularly careful when cleaning the glass: the liquids used must not dampen the painted steel.

#### 4.1.6. Electrical system

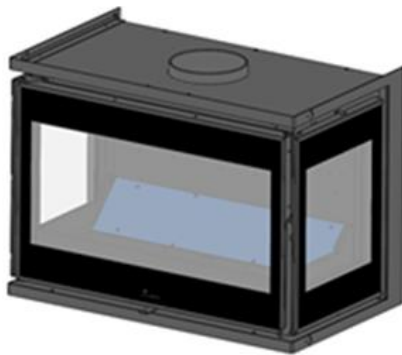
The electrical system should be cleaned-vacuumed regularly (depending on

the installation and use), so as to avoid the accumulation of ash, lint and other remains that may generate strange noises and/or deteriorate the ventilators and electrical system. Disconnect the electrical network system to perform this task.

Cleaning the electrical system:

Remove the inside of the appliance as indicated in section 3.7.

Release the two inner covers and access the fans.



#### 4.1.7. Air intake registers

In the air intake for combustion registers, remains of ash, sawdust, cleaning fluids, etc. may accumulate,

which restrict or hinder its movement. In these cases, they should be released and cleaned.

#### 4.2. Maintenance of the chimney flue

**VERY IMPORTANT:** In order to avoid incidents (chimney fires, etc.), it is necessary to perform maintenance and cleaning operations on a regular basis; if the appliance is used often, then the chimney and the flue connector piping must be swept several times a year.

In the event of fire in the chimney, close the flue draught, close doors and windows, remove embers from the firebox, block the connection hole with damp cloths and call the fire brigade.

#### 4.3. Important advice

Lacunza recommends that only Lacunza-authorized replacement parts be used.

Lacunza accepts no liability for any modification to the product which it has not authorized.







This appliance is a heat-producing appliance and contact may lead to burns.

This appliance may remain **HOT** for a period of time after it has gone out. **MAKE SURE THAT SMALL CHILDREN DO NOT GO NEAR IT.**

## 5. TROUBLESHOOTING

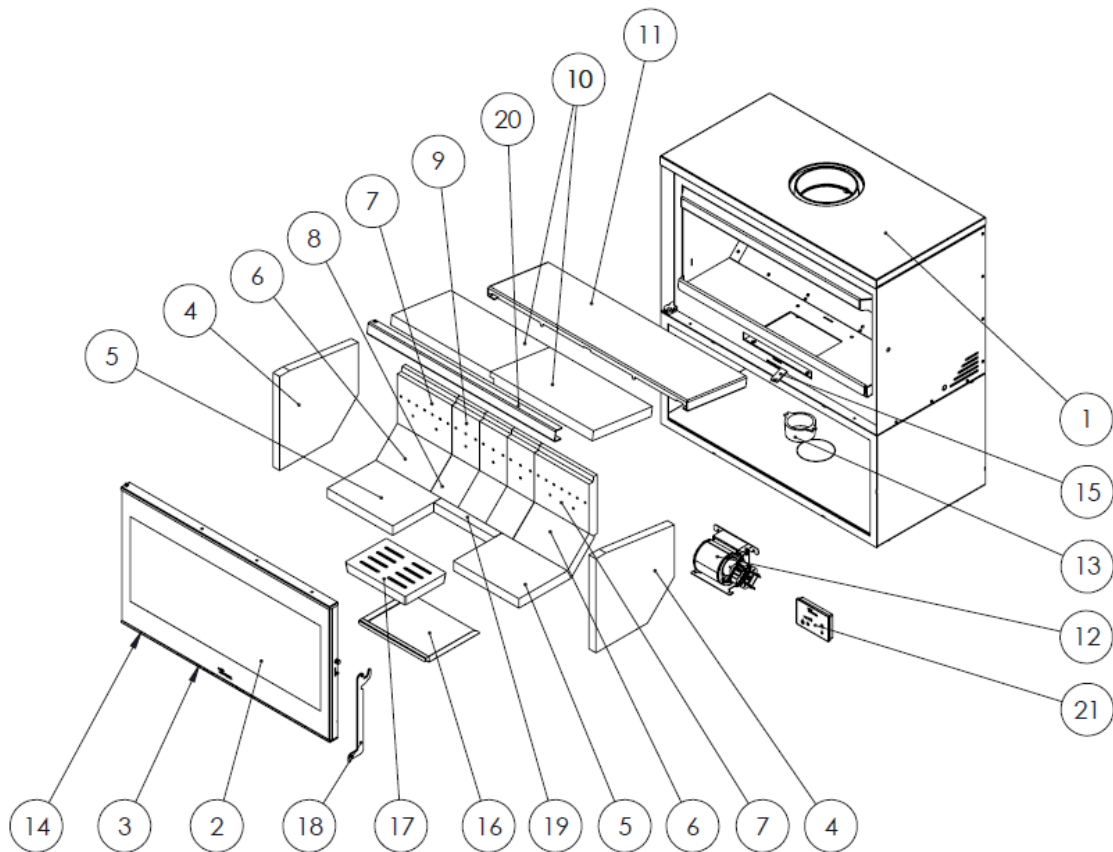


This symbol means that a qualified professional should be called to perform the operation.

Problem	Probable causes		Solution
<b>The fire does not light properly</b> <b>The fire does not stay alight</b>	Green or damp wood		Use hard woods, cut at least 2 years ago and stored in a sheltered, ventilated place
	The logs are too large		Use crumpled paper or firelighters and dry wood chips to light the fire. Use split logs to keep the fire going
	Poor-quality wood		Use hard woods which produce heat and embers (chestnut, ash, maple, birch, elm, beech, etc.)
	Insufficient primary air		Open the primary- and secondary-air intakes completely, or even open the door slightly. Open the outdoor-air inlet grille
	Insufficient updraught		Check that the draught is not blocked. De-soot if necessary. Check that the flue is in perfect condition (airtight, insulated, dry, etc.)
<b>The fire flames up too much</b>	Excessive primary air		Close the primary- and secondary-air intakes partially or totally
	Excessive updraught		Install a draught damper
<b>Smoke given off on lighting</b>	Poor-quality wood		Do not continually burn chips, carpentry scraps (plywood, pallets, etc.)
	Cold flue		Heat up the flue by burning a piece of paper in the firebox.
<b>Smoke during burning</b>	The room is at low pressure		In rooms with Controlled Mechanical Ventilation, leave an outdoor window ajar until the fire is fully alight.
	Too little wood loaded		Load as recommended. Loads notably smaller than those recommended lead to low smoke temperature and downdraught.
	Insufficient updraught		Check the condition of the flue and insulation. Check that the piping is not blocked. Clean mechanically if necessary
	Wind enters the flue		Install an anti-downdraught system (Cowl) at the top of the chimney
<b>Does not warm up enough</b>	The room is at low pressure		In rooms with Controlled Mechanical Ventilation, there must be an outdoor-air inlet
	Poor-quality wood		Only use the recommended fuel
<b>The fans do not work</b>	Electrical fault		
<b>Water condenses (after the appliance has been lit more than 3 or 4 times)</b>	Too little wood loaded		Load as recommended. Loads notably smaller than those recommended lead to low smoke temperature and condensation.
	Green or damp wood		Use hard woods, cut at least 2 years ago and stored in a sheltered, ventilated place.
	Condition of the flue		Lengthen the flue (5-6 metres minimum). Insulate the flue properly. Check the airtightness of the flue/appliance.

6. BASIC BREAKDOWNS

PARIS

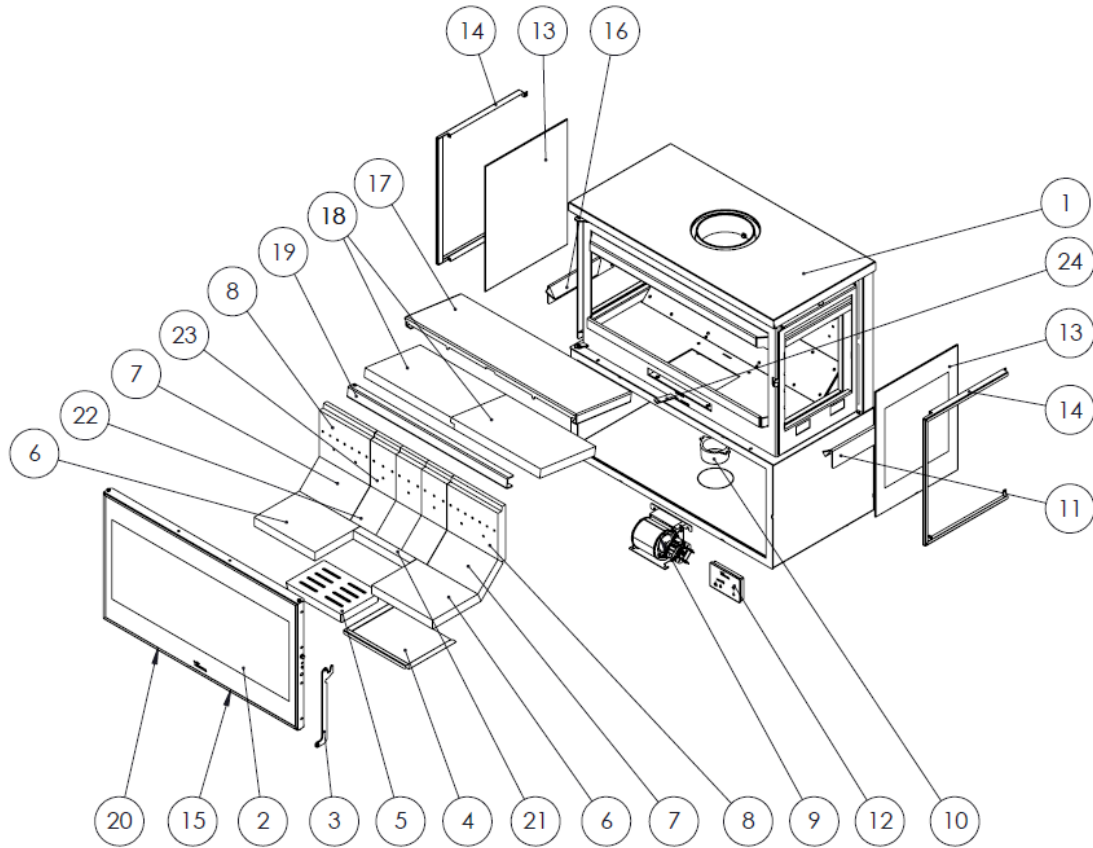




<b>Nº</b>	<b>CÓDIGO</b>	<b>DENOMINACION</b>	<b>CANTIDAD</b>
1	5021060000	Encimera Paris 700	1
	5021070000	Encimera Paris 800	1
2	5045100000	Adour 700 Cristal puerta hogar C/Junta	1
	5045200000	Adour 800 Cristal puerta hogar C/Junta	1
3	509020000042	Cordón Negro Ø13mm	3 m
4	5040000906	Adour lateral vermiculita	2
5	5045100002	Base vermiculita Adour 700	2
	5045200002	Base vermiculita Adour 800	2
6	5040000907	Adour Vermiculita Trasero chaflan (Paris 700)	3
		Adour Vermiculita Trasero chaflan (Paris 800)	2
7	5040000908	Adour Vermiculita lateral trasero (Paris 700)	3
		Adour Vermiculita lateral trasero (Paris 800)	2
8	5040000909	Vermiculita trasera chaflan pequeña (Paris 700)	0
		Vermiculita trasera chaflan pequeña (Paris 800)	3
9	5040000910	Vermiculita lateral trasera pequeña (Paris 700)	0
		Vermiculita lateral trasera pequeña (Paris 800)	3
10	5045100003	Adour 700 deflector vermiculita	2
	5045200003	Adour 800 deflector vermiculita	2
11	5045100004	Adour 700 superior deflector	1
	5045200004	Adour 800 superior deflector	1
12	5040000911	Adour Turbina + carcasa	1
13	5040000912	Tobera Fundición Ent/Salida Aire D/80	1
14	500000000510	Cordón plano pelos 8x2mm	3 m
15	5040000914	Adour maneta común tiros	1
16	5040000915	Adour Cajón Cenicero	1
17	5040000904	Nickel-Adour, Parrilla hogar	1
18	5040000916	Adour Manilla puerta hogar	1
19	5040000922	Vermiculita base estrecha	
20	5000000945	Refuerzo deflector (Paris 700)	1
	5000000946	Refuerzo deflector (Paris 800)	1
21	5040000928	Potenciómetro ELX AIR SC21	1



PARIS CLID



<b>Nº</b>	<b>CÓDIGO</b>	<b>DENOMINACION</b>	<b>CANTIDAD</b>
1	5021060001	Encimera Paris 700 CLID	1
	5021070001	Encimera Paris 800 CLID	1
2	5045100000	Adour 700 Cristal puerta hogar	1
	5045200000	Adour 800 Cristal puerta hogar	1
3	5040000916	Adour Manilla puerta hogar	1
4	5040000915	Adour Cenicero	1
5	5040000904	Nickel-Adour, Parrilla hogar	1
6	5045100002	Base vermiculita Adour 700	2
	5045200002	Base vermiculita Adour 800	2
7	5040000907	Vermiculita chaflan grande (Paris 700 CLID)	3
		Vermiculita chaflan grande (Paris 800 CLID)	2
8	5040000908	Vermiculita lateral trasera (Paris 700 CLID)	3
		Vermiculita lateral trasera (Paris 800 CLID)	2
9	5040000911	Adour Subc. ventilador + carcasa	1
10	5040000912	Entrada/salida de aire Diam 80	1
11	5040000924	Adour CLD separador dcho.	1
12	5040000928	Potenciómetro ELX AIR SC21	1
13	5040000921	Cristal lateral Adour CL	2
14	5040000925	Adour CL cerquillo cristal lateral	2
15	500000000510	Cordón plano pelos 8x2mm	3 m
16	5040000923	Adour CLI separador izdo.	1
17	5045100018	Adour 700 CLID superior deflector	1
	5045200018	Adour 800 CLID superior deflector	1
18	5045100014	Adour 700 CL deflector vermiculita	2
	5045200014	Adour 800 CL deflector vermiculita	2
19	5000000945	Soporte deflector (Paris 700 CLID)	1
	5000000946	Soporte deflector (Paris 800 CLID)	1
20	509020000042	Cordón Negro Ø13mm	3 m
21	5040000922	Vermiculita base estrecha	1
22	5040000909	Vermiculita chaflan pequeña (Paris 700 CLID)	0
		Vermiculita chaflan pequeña (Paris 800 CLID)	3
23	5040000910	Vermiculita trasera pequeña (Paris 700 CLID)	0
		Vermiculita trasera pequeña (Paris 800 CLID)	3
24	5040000914	Adour maneta común tiros	1

## 7. PRODUCT RECYCLING

---

The recycling of the appliance is the exclusive responsibility of the owner, who must act in compliance with the laws in force in his country regarding safety, respect and protection of the environment. At the end of its useful life, the product must not be disposed of with urban waste.

It can be delivered to the specific selective collection centers set up by the municipalities, or to retailers who offer this service. The selective disposal of the product avoids possible negative consequences for the environment and for health and makes it possible to recover the materials of which it is composed, thus obtaining significant savings in terms of energy and resources.

It can be disassembled (the parts are assembled with screws or rivets) and the components can be deposited in their corresponding recycling channels. The components of the appliance are: steel, cast iron, glass, insulating materials, electrical material, etc.

## 8. DECLARATION OF PERFORMANCE



ES-S-045

**DECLARACIÓN DE PRESTACIONES** Conforme al R. E. Productos Construcción (UE) Nº 305/2011

**DÉCLARATION DE PERFORMANCE** Selon le Règlement (UE) Nº 305/2011

**DICHIARAZIONE DI PRESTAZIONE** In base al Regolamento (UE) Nº 305/2011

**DECLARATION OF PERFORMANCE** According to Regulation (UE) Nº 305/2011

**DECLARAÇÃO DE PRESTAÇÕES** Em base com o Regulamento (UE) Nº 305/2011

**LEISTUNGSERKLÄRUNG** Gemäß R. E. Bauprodukte (EU) Nr. 305/2011

- Nombre y/o código de identificación única del producto:  
Nom-code d'identification unique du produit:  
Nome-codice identificativo unico del prodotto:  
Unique identifier nome-code for product:  
Nome-código de identificação único do produto:  
Name und/oder eindeutiger Identifikationscode des Produkts:

  - Marca, marque, marca, mark, marca, markierung: **Lacunza**
  - Tipo, type, tipo, type, tipo, nett: **Estufa, Poêle, Stufa, Stove, Aquecedor, Holzofen**
  - Modelo, modèle, modello, model, modelo, modell: **PARIS 700, PARIS 700 MURAL**
2. **Uso o usos previstos del producto:** Estufa de carga manual, para quemar combustibles sólidos (indicado en instrucciones), cuya función es calentar el espacio en el que está instalada.  
**Utilisation prévue du produit:** Poêle qui se charge manuellement, conçu pour brûler des combustibles solides (indiqués dans le Manuel d'Instructions), dont la fonction est de chauffer l'espace où il est installé.  
**Usi previsti del prodotto:** Stufa a carico manuale, per bruciare combustibili solidi (indicati nelle istruzioni), la cui funzione è riscaldare lo spazio in cui è installato.  
**Intended uses of the product:** Stove to be loaded by hand and designed to burn solid fuels (indicated in instructions), whose function is to heat the space in which it is installed.  
**Utilização prevista do produto:** Aquecedor de carga manual, para queimar combustíveis sólidos (indicado nas instruções), cuja função é aquecer o espaço no qual está instalado.  
**Vorgesehene Verwendung oder Verwendungen des Produkts:** Handbeschickungs-Ofen zum Verbrennen von festen Brennstoffen (in der Anleitung angegeben), deren Funktion darin besteht, den Raum zu beheizen, in dem er installiert ist.
3. Nombre y dirección del fabricante: **LACUNZA KALOR GROUP S.A.L.**  
Nom et adresse du fabricant: **Pol. Ind. Ibarrea 5A 31800 Alsua (Navarra) (España)**  
Nome e indirizzo del fabbricante: **Téléfono: (0034) 948563511**  
Name and address of the manufacturer: **Fax: (0034) 948563505**  
Nome e endereço do fabricante: **Email: comercial@lacunza.net**  
Name und Anschrift des Herstellers:
4. Sistema de evaluación y verificación de la constancia de las prestaciones: **3**  
Système d'évaluation et contrôle de la constance de performance: **3**  
Sistema di valutazione e verifica della costanza della prestazione: **3**  
Assessment and verification system for constancy of performance: **3**  
Sistema de avaliação e verificação da regularidade do desempenho: **3**  
System zur Bewertung und Überprüfung der Leistungsbeständigkeit: **3**
5. Organismo Notificado, Laboratoire notifié, Laboratorio notificato, Laboratory notified, Laboratório notificado, Gemeldeter Organismus:  
**STROJÍRENSKÝ ZKUŠEBNÍ ÚSTAV, S.P.**  
**Engineering Test Institute, Public Enterprise**  
**Hudcova 424/56b, 621 00 Brno, Czech Republic. Notified Body 1015**  
Por el sistema, Selon le system, In base al system, Based on system, Em base ao system, vom System: **3.**  
Documento emitido (fecha), Numéro du rapport d'essai (date), Numero rapporto di prova (data), Test report number (date), Número relação de prova (data), Ausgestelltes Dokument (Datum): **CPR-B-01780-22 (25-11-2022)**

**6. Prestaciones declaradas, Performance déclarée, Prestazioni dichiarate, Services declare, Desempenhos declarados, Deklarierte Vorteile:**

Especificaciones técnicas armonizadas, Spécifications techniques armonices, Specifica tecnica armonizzata, Harmonised technical specifications, Especifica técnica harmonizada, Harmonisierte technische Spezifikationen <b>EN-13240:2001/A2:2004/AC:2006/AC:2007</b>		
Características esenciales, Caractéristiques essentielles, Caratteristiche essenziali, Essential features, Características essenciais, Unerlässliche Eigenschaften		Prestaciones, Performance, Prestazione, Services, Desempenho, Leistungen
Reacción al fuego, Resistance au feu, Resistance to fire, Resistência ao fogo, Reaktion auf Feuer		Cumple, Conforme, Conforme, Compliant, Em Conformidade, Gemäß
Distancia mínima de seguridad a materiales combustibles, Distance minimum aux matériaux combustibles, Dintanza mínima da material combustibil, Minimum distance from combustible material, Distância mínimo de materiais combustíveis, Mindestsicherheitsabstand zu brennbaren Materialien	Izquierda, gauche, sinistra, left, esquerda, links : Derecha, droite, diritto, right, direito, rechts: Trasera, arrière, retro, back, traseira, rüchseite (Paris 700): Trasera, arrière, retro, back, traseira, rüchseite (Paris 700Mural): Delantera, avant, fronte, front, frente, vorne: Encimera, dessus, sopra, above, acima, arbeitsplatte:	800mm 800mm 400mm No Combustible 800mm 800mm
Temperatura humos a potencia térmica nominal, Température des fumées, Temperatura fumi, Fume temperatura, Temperatura dos gases de combustão, Rauchtemperatur bei Nennwärmeleistung		<b>287 °C</b>
Emisión, Emission, Emissione, Emissão, Emission, Ausgabe CO 13% O2		<b>0,09 %</b>
Emisión, Emission, Emissione, Emissão, Emission, Ausgabe CO 13% O2		<b>1125 mg/Nm<sup>3</sup></b>
Emisión, Emission, Emissione, Emissão, Emission, Ausgabe NOx 13% O2		<b>115 mg/Nm<sup>3</sup></b>
Emisión, Emission, Emissione, Emissão, Emission, Ausgabe OGC 13% O2		<b>69 mg/Nm<sup>3</sup></b>
Emisión, Emission, Emissione, Emissão, Emission, Ausgabe PM 13% O2		<b>29 mg/Nm<sup>3</sup></b>
Desprendimiento de sustancias peligrosas, Rejet de substances dangereuses, Rilascio di sostanze pericolose, Release of hazardous substances, Lançamento de substâncias perigosas, Freisetzung von Gefahrstoffen		Cumple, Conforme, Conforme, Compliant, Em Conformidade, Gemäß
Temperatura superficial, Température de surface, Temperatura superficiale, Surface temperatura, Temperatura superficial, Oberflächentemperatur		Cumple, Conforme, Conforme, Compliant, Em Conformidade, Gemäß
Seguridad eléctrica, Sécurité électrique, Sicurezza elettrica, Electrical safety, Segurança elétrica, elektrische Sicherheit		-
Presión máxima de servicio (paila), Pression maximale de service, Máxima pressione di esercizio, Maximum operating pressure, Máxima pressão de exercício, Maximaler Arbeitsdruck (Pfanne)		-
Resistencia mecánica (para soportar una chimenea/un conducto de humos), Resistanse mécanique (pour soutenir la cheminée), Resistenza mecánica (per supportare il camino), Mechanical strength (to support the fireplace), Resistência mecânica (para suportar a chaminé), Mechanischer Widerstand (zur Unterstützung eines Schornsteins/Abzugs)		Cumple, Conforme, Conforme, Compliant, Em Conformidade, Gemäß
Potencia térmica ambiente, Puissance rendue au milieu, Potenza resa all'ambiente, Power output to the environment, Potência libertada no ambiente, Umgebungswärmeleistung		<b>8 kW</b>
Potencia térmica agua, Puissance rendue à l'eau, Potenza ceduta all'acqua, Power transferred to water, Potência cedida à água, Thermalkraft Wasser		-
Rendimiento energético, Rendement, Rendimento, Efficiency, Atuação, Energieeffizienz		<b>78 %</b>

Las prestaciones del producto identificado en el punto 1 son conformes con las prestaciones declaradas en el punto 6.  
 La performance du produit cité au point 1 est conforme à la performance declare au point 6.  
 La prestazione del prodotto di cui ai punti 1 è conforme alla prestazione dichiarata di cui al punto 6.  
 The performance of the product referred to in point 1 is consistent with the declared performance in point 6.  
 As declarações do produto identificado no ponto 1, estão conformes com as prestações declaradas no ponto 6.  
 Die Leistung des in Nummer 1 genannten Produkts entspricht der in Nummer 6 angegebenen Leistung.

La presente declaración de prestaciones se emite bajo la única responsabilidad del fabricante, indicado en el punto 3.  
 Cette déclaration de performance est délivrée sous la responsabilité exclusive du fabricant cité au point 3.  
 Si rilascia la presente dichiarazione di prestazione sotto la responsabilità esclusiva del fabricante di cui al punto 3.  
 This declaration of performance is issued under the manufacturer's sole responsibility referred to in point 3.  
 É emitida a presente declaração de desempenho sob a responsabilidade exclusiva do fabricante referido no ponto 3.  
 Diese Leistungserklärung wird in alleiniger Verantwortung des Herstellers ausgestellt, wie in Punkt 3 angegeben.



**José Julián Garcandía Pellejero**  
 Director Gerente

Alsasua 19-12-2022





ES-S-046

**DECLARACIÓN DE PRESTACIONES** Conforme al R. E. Productos Construcción (UE) Nº 305/2011**DÉCLARATION DE PERFORMANCE** Selon le Règlement (UE) Nº 305/2011**DICHIARAZIONE DI PRESTAZIONE** In base al Regolamento (UE) Nº 305/2011**DECLARATION OF PERFORMANCE** According to Regulation (UE) Nº 305/2011**DECLARAÇÃO DE PRESTAÇÕES** Em base com o Regulamento (UE) Nº 305/2011**LEISTUNGSEKTLÄRUNG** Gemäß R. E. Bauprodukte (EU) Nr. 305/2011

1. Nombre y/o código de identificación única del producto:  
Nom-code d'identification unique du produit:  
Nome-codice identificativo unico del prodotto:  
Unique identifier nome-code for product:  
Nome-código de identificação único do produto:  
Name und/oder eindeutiger Identifikationscode des Produkts:
  - Marca, marque, marca, mark, marca, markierung: **Lacunza**
  - Tipo, type, tipo, type, tipo, nett: **Estufa, Poêle, Stufa, Stove, Aquecedor, Holzofen**
  - Modelo, modèle, modello, model, modelo, modell: **PARIS 700 CLID, PARIS 700 CLID MURAL**
2. **Uso o usos previstos del producto:** Estufa de carga manual, para quemar combustibles sólidos (indicado en instrucciones), cuya función es calentar el espacio en el que está instalada.  
**Utilisation prévue du produit:** Poêle qui se charge manuellement, conçu pour brûler des combustibles solides (indiqués dans le Manuel d'Instructions), dont la fonction est de chauffer l'espace où il est installé.  
**Usi previsti del prodotto:** Stufa a carico manuale, per bruciare combustibili solidi (indicati nelle istruzioni), la cui funzione è riscaldare lo spazio in cui è installato.  
**Intended uses of the product:** Stove to be loaded by hand and designed to burn solid fuels (indicated in instructions), whose function is to heat the space in which it is installed.  
**Utilização prevista do produto:** Aquecedor de carga manual, para queimar combustíveis sólidos (indicado nas instruções), cuja função é aquecer o espaço no qual está instalado.  
**Vorgesehene Verwendung oder Verwendungen des Produkts:** Handbeschickungsöfen zum Verbrennen von festen Brennstoffen (in der Anleitung angegeben), deren Funktion darin besteht, den Raum zu beheizen, in dem er installiert ist.
3. Nombre y dirección del fabricante: **LACUNZA KALOR GROUP S.A.L.**  
Nom et adresse du fabricant: **Pol. Ind. Ibarrea 5A 31800 Alsasua (Navarra) (España)**  
Nome e indirizzo del fabbricante: **Télefono: (0034) 948563511**  
Name and address of the manufacturer: **Fax: (0034) 948563505**  
Nome e endereço do fabricante: **Email: comercial@lacunza.net**  
Name und Anschrift des Herstellers:
4. Sistema de evaluación y verificación de la constancia de las prestaciones: **3**  
Système d'évaluation et contrôle de la constante de performance: **3**  
Sistema di valutazione e verifica della costanza della prestazione: **3**  
Assessment and verification system for constancy of performance: **3**  
Sistema de avaliação e verificação da regularidade do desempenho: **3**  
System zur Bewertung und Überprüfung der Leistungsbeständigkeit: **3**
5. Organismo Notificado, Laboratoire notifié, Laboratorio notificato, Laboratory notified, Laboratório notificado, Gemeldeter Organismus:  
**STROJÍRENSKÝ ZKUŠEBNÍ ÚSTAV, S.P.**  
**Engineering Test Institute, Public Enterprise**  
**Hudcova 424/56b, 621 00 Brno, Czech Republic. Notified Body 1015**  
Por el sistema, Selon le system, In base al system, Based on system, Em base ao system, vom System: **3**  
Documento emitido (fecha), Numéro du rapport d'essai (date), Numero rapporto di prova (data), Test report number (date), Número relação de prova (data), Ausgestelltes Dokument (Datum): **CPR-B-01779-22 (25-11-2022)**

**6. Prestaciones declaradas, Performance déclarée, Prestazioni dichiarate, Services declare, Desempenhos declarados, Deklarierte Vorteile:**

Especificaciones técnicas armonizadas, Spécifications techniques armonices, Specifica tecnica armonizzata, Harmonised technical specifications, Especifica técnica harmonizada, Harmonisierte technische Spezifikationen <b>EN-13240:2001/A2:2004/AC:2006/AC:2007</b>		
Características esenciales, Caractéristiques essentielles, Caratteristiche essenziali, Essential features, Características essenciais, Unerlässliche Eigenschaften		Prestaciones, Performance, Prestazione, Services, Desempenho, Leistungen
Reacción al fuego, Resistance au feu, Resistenza al fuoco, Resistance to fire, Resistência ao fogo, Reaktion auf Feuer		Cumple, Conforme, Conforme, Compliant, Em Conformidade, Gemäß
Distancia mínima de seguridad a materiales combustibles, Distance minimum aux matériaux combustibles, Distanza minima da material combustibili, Minimum distance from combustible material, Distância mínimo de materiais combustíveis, Mindestsicherheitsabstand zu brennbaren Materialien	Izquierda, gauche, sinistra, left, esquerda, links : Derecha, droite, diritto, right, direito, rechts: Trasera, arrière, retro, back, traseira, rückseite (Paris 700): Trasera, arrière, retro, back, traseira, rückseite (Paris 700Mural): Delantera, avant, fronte, front, frente, vorne: Encimera, dessus, sopra, above, acima, arbeitsplatte:	800mm 800mm 400mm No Combustible 800mm 800mm
Temperatura humos a potencia térmica nominal, Température des fumées, Temperatura fumi, Fume temperatura, Temperatura dos gases de combustão, Rauchtemperatur bei Nennwärmeleistung		<b>255 °C</b>
Emisión, Emission, Emissione, Emissão, Emission, Ausgabe CO 13% O2		<b>0,09 %</b>
Emisión, Emission, Emissione, Emissão, Emission, Ausgabe CO 13% O2		<b>1123 mg/Nm<sup>3</sup></b>
Emisión, Emission, Emissione, Emissão, Emission, Ausgabe NOx 13% O2		<b>112 mg/Nm<sup>3</sup></b>
Emisión, Emission, Emissione, Emissão, Emission, Ausgabe OGC 13% O2		<b>65 mg/Nm<sup>3</sup></b>
Emisión, Emission, Emissione, Emissão, Emission, Ausgabe PM 13% O2		<b>27 mg/Nm<sup>3</sup></b>
Desprendimiento de sustancias peligrosas, Rejet de substances dangereuses, Rilascio di sostanze pericolose, Release of hazardous substances, Lançamento de substâncias perigosas, Freisetzung von Gefahrstoffen		Cumple, Conforme, Conforme, Compliant, Em Conformidade, Gemäß
Temperatura superficial, Température de surface, Temperatura superficiale, Surface temperatura, Temperatura superficial, Oberflächentemperatur		Cumple, Conforme, Conforme, Compliant, Em Conformidade, Gemäß
Seguridad eléctrica, Sécurité électrique, Sicurezza elettrica, Electrical safety, Segurança elétrica, elektrische Sicherheit		-
Presión máxima de servicio (paila), Pression maximale de service, Máxima pressione di esercizio, Maximun operating pressure, Máxima pressão de exercício, Maximaler Arbeitsdruck (Pfanne)		-
Resistencia mecánica (para soportar una chimenea/un conducto de humos), Resistanse mécanique (pour soutenir la cheminée), Resistenza mecánica (per supportare il camino), Mechanical strength (to support the fireplace), Resistência mecânica (para suportar a chaminé), Mechanischer Widerstand (zur Unterstützung eines Schornsteins/Abzugs)		Cumple, Conforme, Conforme, Compliant, Em Conformidade, Gemäß
Potencia térmica ambiente, Puissance rendue au milieu, Potenza resa all'ambiente, Power output to the environment, Potência libertada no ambiente, Umgebungswärmeleistung		<b>9,5 kW</b>
Potencia térmica agua, Puissance rendue à l'eau, Potenza ceduta all'acqua, Power transferred to water, Potência cedida à água, Thermalkraft Wasser		-
Rendimiento energético, Rendement, Rendimento, Efficiency, Atuação, Energieeffizienz		<b>80 %</b>

Las prestaciones del producto identificado en el punto 1 son conformes con las prestaciones declaradas en el punto 6.  
 La performance du produit cité au point 1 est conforme à la performance declare au point 6.  
 La prestazione del prodotto di cui al punto 1 è conforme alla prestazione dichiarata di cui al punto 6.  
 The performance of the product referred to in point 1 is consistent with the declared performance in point 6.  
 As declarações do produto identificado no ponto 1, estão conformes com as prestações declaradas no ponto 6.  
 Die Leistung des in Nummer 1 genannten Produkts entspricht der in Nummer 6 angegebenen Leistung.

La presente declaración de prestaciones se emite bajo la única responsabilidad del fabricante, indicado en el punto 3.  
 Cette déclaration de performance est délivrée sous la responsabilité exclusive du fabricant cité au point 3.  
 Si rilascia la presente dichiarazione di prestazione sotto la responsabilità esclusiva del fabbricante di cui al punto 3.  
 This declaration of performance is issued under the manufacturer's sole responsibility referred to in point 3.  
 É emitida a presente declaração de desempenho sob a responsabilidade exclusiva do fabricante referido no ponto 3.  
 Diese Leistungserklärung wird in alleiniger Verantwortung des Herstellers ausgestellt, wie in Punkt 3 angegeben.



**José Julián Garciandía Pellejero**  
 Director Gerente

Alsasua 19-12-2022



ES-S-047

**DECLARACIÓN DE PRESTACIONES** Conforme al R. E. Productos Construcción (UE) Nº 305/2011  
**DÉCLARATION DE PERFORMANCE** Selon le Règlement (UE) Nº 305/2011  
**DICHIARAZIONE DI PRESTAZIONE** In base al Regolamento (UE) Nº 305/2011  
**DECLARATION OF PERFORMANCE** According to Regulation (UE) Nº 305/2011  
**DECLARAÇÃO DE PRESTAÇÕES** Em base com o Regulamento (UE) Nº 305/2011  
**LEISTUNGSERKLÄRUNG** Gemäß R. E. Bauprodukte (EU) Nr. 305/2011

1. Nombre y/o código de identificación única del producto:  
Nom-code d'identification unique du produit:  
Nome-codice identificativo unico del prodotto:  
Unique identifier nome-code for product:  
Nome-código de identificação único do produto:  
Name und/oder eindeutiger Identifikationscode des Produkts:
  - Marca, marque, marca, mark, marca, markierung: **Lacunza**
  - Tipo, type, tipo, type, tipo, nett: **Estufa, Poêle, Stufa, Stove, Aquecedor, Holzofen**
  - Modelo, modèle, modello, model, modelo, modell: **PARIS 800, PARIS 800 MURAL**
2. **Uso o usos previstos del producto:** Estufa de carga manual, para quemar combustibles sólidos (indicado en instrucciones), cuya función es calentar el espacio en el que está instalada.  
**Utilisation prévue du produit:** Poêle qui se charge manuellement, conçu pour brûler des combustibles solides (indiqués dans le Manuel d'instructions), dont la fonction est de chauffer l'espace où il est installé.  
**Usi previsti del prodotto:** Stufa a carico manuale, per bruciare combustibili solidi (indicati nelle istruzioni), la cui funzione è riscaldare lo spazio in cui è installato.  
**Entended uses of the product:** Stove to be loaded by hand and designed to burn solid fuels (indicated in instructions), whose function is to heat the space in which it is installed.  
**Utilização prevista do produto:** Aquecedor de carga manual, para queimar combustíveis sólidos (indicado nas instruções), cuja função é aquecer o espaço no qual está instalado.  
**Vorgesehene Verwendung oder Verwendungen des Produkts:** Handbeschickungs-ofen zum Verbrennen von festen Brennstoffen (in der Anleitung angegeben), deren Funktion darin besteht, den Raum zu beheizen, in dem er installiert ist.
3. Nombre y dirección del fabricante: **LACUNZA KALOR GROUP S.A.L.**  
Nom et adresse du fabricant: **Pol. Ind. Ibarrea SA 31800 Alsasua (Navarra) (España)**  
Nome e indirizzo del fabbricante: **Téléfono: (0034) 948563511**  
Name and adress of the manufacturer: **Fax: (0034) 948563505**  
Nome e endereço do fabricante: **Email: comercial@lacunza.net**  
Name und Anschrift des Herstellers:
4. Sistema de evaluación y verificación de la constancia de las prestaciones: **3**  
Système d'évaluation et contrôle de la constante de performance: **3**  
Sistema di valutazione e verifica della costanza della prestazione: **3**  
Assessment and verification system for constancy of performance: **3**  
Sistema de avaliação e verificação da regularidade do desempenho: **3**  
System zur Bewertung und Überprüfung der Leistungsbeständigkeit: **3**
5. Organismo Notificado, Laboratoire notifié, Laboratorio notificato, Laboratory notified, Laboratório notificado, Gemeldeter Organismus:  
**STROJÍRENSKÝ ZKUŠEBNÍ ÚSTAV, S.P.**  
**Engineering Test Institute, Public Enterprise**  
**Hudcova 424/56b, 621 00 Brno, Czech Republic. Notified Body 1015**  
Por el sistema, Selon le system, In base al system, Based on system, Em base ao system, vom System: **3**  
Documento emitido (fecha), Numéro du rapport d'essai (date), Numero rapporto di prova (data), Test report number (date), Número relação de prova (data), Ausgestelltes Dokument (Datum): **CPR-B-01780-22 (25-11-2022)**



**6. Prestaciones declaradas, Performance déclarée, Prestazioni dichiarate, Services declare, Desempenhos declarados, Deklarierte Vorteile:**

Especificaciones técnicas armonizadas, Spécifications techniques armonices, Specifica tecnica armonizzata, Harmonised technical specifications, Especifica técnica harmonizada, Harmonisierte technische Spezifikationen <b>EN-13240:2001/A2:2004/AC:2006/AC:2007</b>		
Características esenciales, Caractéristiques essentielles, Caratteristiche essenziali, Essential features, Características essenciais, Unerlässliche Eigenschaften		Prestaciones, Performance, Prestazione, Services, Desempenho, Leistungen
Reacción al fuego, Resistance au feu, Resistenza al fuoco, Resistance to fire, Resistência ao fogo, Reaktion auf Feuer		Cumple, Conforme, Conforme, Compliant, Em Conformidade, Gemäß
Distancia mínima de seguridad a materiales combustibles, Distance minimum aux matériaux combustibles, Distanza minima da materiali combustibili, Minimum distance from combustible material, Distância mínimo de materiais combustíveis, Mindestsicherheitsabstand zu brennbaren Materialien	Izquierda, gauche, sinistra, left, esquerda, links : Derecha, droite, diritto, right, direito, rechts: Trasera, arrière, retro, back, traseira, rückseite (Paris 700): Trasera, arrière, retro, back, traseira, rückseite (Paris 700Mural): Delantera, avant, fronte, front, frente, vorne: Encimera, dessus, sopra, above, acima, arbeitsplatte:	800mm 800mm 400mm No Combustible 800mm 800mm
Temperatura humos a potencia térmica nominal, Température des fumées, Temperatura fumi, Fume temperatura, Temperatura dos gases de combustão, Rauchtemperatur bei Nennwärmeleistung		316 °C
Emisión, Emission, Emissione, Emissão, Emission, Ausgabe CO 13% O2		0,06 %
Emisión, Emission, Emissione, Emissão, Emission, Ausgabe CO 13% O2		750 mg/Nm <sup>3</sup>
Emisión, Emission, Emissione, Emissão, Emission, Ausgabe NOx 13% O2		123 mg/Nm <sup>3</sup>
Emisión, Emission, Emissione, Emissão, Emission, Ausgabe OGC 13% O2		64 mg/Nm <sup>3</sup>
Emisión, Emission, Emissione, Emissão, Emission, Ausgabe PM 13% O2		30 mg/Nm <sup>3</sup>
Desprendimiento de sustancias peligrosas, Rejet de substances dangereuses, Rilascio di sostanze pericolose, Release of hazardous substances, Lançamento de substâncias perigosas, Freisetzung von Gefahrstoffen		Cumple, Conforme, Conforme, Compliant, Em Conformidade, Gemäß
Temperatura superficial, Température de surface, Temperatura superficiale, Surface temperatura, Temperatura superficial, Oberflächentemperatur		Cumple, Conforme, Conforme, Compliant, Em Conformidade, Gemäß
Seguridad eléctrica, Sécurité électrique, Sicurezza elettrica, Electrical safety, Segurança elétrica, elektrische Sicherheit		-
Presión máxima de servicio (paila), Pression maximale de service, Máxima pressione di esercizio, Maximun operating pressure, Máxima pressão de exercício, Maximaler Arbeitsdruck (Pfanne)		-
Resistencia mecánica (para soportar una chimenea/un conducto de humos), Résistance mécanique (pour soutenir la cheminée), Resistenza mecánica (per supportare il camino), Mechanical strength (to support the fireplace), Resistência mecânica (para suportar a chaminé), Mechanischer Widerstand (zur Unterstützung eines Schornsteins/Abzugs)		Cumple, Conforme, Conforme, Compliant, Em Conformidade, Gemäß
Potencia térmica ambiente, Puissance rendue au milieu, Potenza resa all'ambiente, Power output to the environment, Potência libertada no ambiente, Umgebungswärmeleistung		10 kW
Potencia térmica agua, Puissance rendue à l'eau, Potenza ceduta all'acqua, Power transferred to water, Potência cedida à água, Thermalkraft Wasser		-
Rendimiento energético, Rendement, Rendimento, Efficiency, Atuação, Energieeffizienz		79 %

Las prestaciones del producto identificado en el punto 1 son conformes con las prestaciones declaradas en el punto 6.  
 La performance du produit cité au point 1 est conforme à la performance declare au point 6.  
 La prestazione del prodotto di cui ai punti 1 è conforme alla prestazione dichiarata di cui al punto 6.  
 The performance of the product referred to in point 1 is consistent with the declared performance in point 6.  
 As declarações do produto identificado no ponto 1, estão conformes com as prestações declaradas no ponto 6.  
 Die Leistung des in Nummer 1 genannten Produkts entspricht der in Nummer 6 angegebenen Leistung.

La presente declaración de prestaciones se emite bajo la única responsabilidad del fabricante, indicado en el punto 3.  
 Cette déclaration de performance est délivrée sous la responsabilité exclusive du fabricant cité au point 3.  
 Si rilascia la presente dichiarazione di prestazione sotto la responsabilità esclusiva del fabricante di cui al punto 3.  
 This declaration of performance is issued under the manufacturer's sole responsibility referred to in point 3.  
 É emitida a presente declaração de desempenho sob a responsabilidade exclusiva do fabricante referido no ponto 3.  
 Diese Leistungserklärung wird in alleiniger Verantwortung des Herstellers ausgestellt, wie in Punkt 3 angegeben.



**José Julián Garcandía Pellejero**  
 Director Gerente

Alsasua 19-12-2022



ES-S-048

**DECLARACIÓN DE PRESTACIONES** Conforme al R. E. Productos Construcción (UE) Nº 305/2011**DÉCLARATION DE PERFORMANCE** Selon le Règlement (UE) Nº 305/2011**DICHIARAZIONE DI PRESTAZIONE** In base al Regolamento (UE) Nº 305/2011**DECLARATION OF PERFORMANCE** According to Regulation (UE) Nº 305/2011**DECLARAÇÃO DE PRESTAÇÕES** Em base com o Regulamento (UE) Nº 305/2011**LEISTUNGSERKLÄRUNG** Gemäß R. E. Bauprodukte (EU) Nr. 305/2011

1. Nombre y/o código de identificación única del producto:  
Nom-code d'identification unique du produit:  
Nome-codice identificativo unico del prodotto:  
Unique identifier nome-code for product:  
Nome-código de identificação único do produto:  
Name und/oder eindeutiger Identifikationscode des Produkts:
  - Marca, marque, marca, mark, marca, markierung: **Lacunza**
  - Tipo, type, tipo, type, tipo, nett: **Estufa, Poêle, Stufa, Stove, Aquecedor, Holzofen**
  - Modelo, modèle, modello, model, modelo, modell: **PARIS 800 CLID, PARIS 800 CLID MURAL**
2. **Uso o usos previstos del producto:** Estufa de carga manual, para quemar combustibles sólidos (indicado en instrucciones), cuya función es calentar el espacio en el que está instalada.  
**Utilisation prévue du produit:** Poêle qui se charge manuellement, conçu pour brûler des combustibles solides (indiqués dans le Manuel d'instructions), dont la fonction est de chauffer l'espace où il est installé.  
**Usi previsti del prodotto:** Stufa a carico manuale, per bruciare combustibili solidi (indicati nelle istruzioni), la cui funzione è riscaldare lo spazio in cui è installato.  
**Intended uses of the product:** Stove to be loaded by hand and designed to burn solid fuels (indicated in instructions), whose function is to heat the space in which it is installed.  
**Utilização prevista do produto:** Aquecedor de carga manual, para queimar combustíveis sólidos (indicado nas instruções), cuja função é aquecer o espaço no qual está instalado.  
**Vorgesehene Verwendung oder Verwendungen des Produkts:** Handbeschickungs-ofen zum Verbrennen von festen Brennstoffen (in der Anleitung angegeben), deren Funktion darin besteht, den Raum zu beheizen, in dem er installiert ist.
3. Nombre y dirección del fabricante: **LACUNZA KALOR GROUP S.A.L.**  
Nom et adresse du fabricant: **Pol. Ind. Ibarrea 5A 31800 Alsasua (Navarra) (España)**  
Nome e indirizzo del fabbricante: **Téléfono: (0034) 948563511**  
Name and address of the manufacturer: **Fax: (0034) 948563505**  
Nome e endereço do fabricante: **Email: comercial@lacunza.net**  
Name und Anschrift des Herstellers:
4. Sistema de evaluación y verificación de la constancia de las prestaciones: **3**  
Système d'évaluation et contrôle de la constance de performance: **3**  
Sistema di valutazione e verifica della costanza della prestazione: **3**  
Assessment and verification system for constancy of performance: **3**  
Sistema de avaliação e verificação da regularidade do desempenho: **3**  
System zur Bewertung und Überprüfung der Leistungsbeständigkeit: **3**
5. Organismo Notificado, Laboratoire notifié, Laboratorio notificato, Laboratory notified, Laboratório notificado, Gemeldeter Organismus:  
**STROJÍRENSKÝ ZKUŠEBNÍ ÚSTAV, S.P.**  
**Engineering Test Institute, Public Enterprise**  
**Hudcova 424/56b, 621 00 Brno, Czech Republic. Notified Body 1015**  
Por el sistema, Selon le system, In base al system, Based on system, Based on system, vom System: **3.**  
Documento emitido (fecha), Numéro du rapport d'essai (date), Numero rapporto di prova (data), Test report number (date), Número relação de prova (data), Ausgestelltes Dokument (Datum): **CPR-B-01779-22 (25-11-2022)**

**6. Prestaciones declaradas, Performance déclarée, Prestazioni dichiarate, Services declare, Desempenhos declarados, Deklarierte Vorteile:**

Especificaciones técnicas armonizadas, Spécifications techniques armonices, Specifica tecnica armonizzata, Harmonised technical specifications, Especifica técnica harmonizada, Harmonisierte technische Spezifikationen <b>EN-13240:2001/A2:2004/AC:2006/AC:2007</b>		
Características esenciales, Caractéristiques essentielles, Caratteristiche essenziali, Essential features, Características essenciais, Unerlässliche Eigenschaften		Prestaciones, Performance, Prestazione, Services, Desempenho, Leistungen
Reacción al fuego, Resistance au feu, Resistenza al fuoco, Resistance to fire, Resistência ao fogo, Reaktion auf Feuer		Cumple, Conforme, Conforme, Compliant, Em Conformidade, Gemäß
Distancia mínima de seguridad a materiales combustibles, Distance minimum aux matériaux combustibles, Distanza minima da materiali combustibili, Minimum distance from combustible material, Distância mínimo de materiais combustíveis, Mindestsicherheitsabstand zu brennbaren Materialien	Izquierda, gauche, sinistra, left, esquerda, links : Derecha, droite, diritto, right, direito, rechts: Trasera, arrière, retro, back, traseira, rückseite (Paris 700): Trasera, arrière, retro, back, traseira, rückseite (Paris 700Mural): Delantera, avant, fronte, front, frente, vorne: Encimera, dessus, sopra, above, acima, arbeitsplatte:	800mm 800mm 400mm No Combustible 800mm 800mm
Temperatura humos a potencia térmica nominal, Température des fumées, Temperatura fumi, Fume temperatura, Temperatura dos gases de combustão, Rauchtemperatur bei Nennwärmeleistung		<b>283 °C</b>
Emisión, Emission, Emissione, Emissão, Emission, Ausgabe CO 13% O2		<b>0,09 %</b>
Emisión, Emission, Emissione, Emissão, Emission, Ausgabe CO 13% O2		<b>1153 mg/Nm³</b>
Emisión, Emission, Emissione, Emissão, Emission, Ausgabe NOx 13% O2		<b>118 mg/Nm³</b>
Emisión, Emission, Emissione, Emissão, Emission, Ausgabe OGC 13% O2		<b>67 mg/Nm³</b>
Emisión, Emission, Emissione, Emissão, Emission, Ausgabe PM 13% O2		<b>27 mg/Nm³</b>
Desprendimiento de sustancias peligrosas, Rejet de substances dangereuses, Rilascio di sostanze pericolose, Release of hazardous substances, Lançamento de substâncias perigosas, Freisetzung von Gefahrstoffen		Cumple, Conforme, Conforme, Compliant, Em Conformidade, Gemäß
Temperatura superficial, Température de surface, Temperatura superficiale, Surface temperatura, Temperatura superficial, Oberflächentemperatur		Cumple, Conforme, Conforme, Compliant, Em Conformidade, Gemäß
Seguridad eléctrica, Sécurité électrique, Sicurezza elettrica, Electrical safety, Segurança elétrica, elektrische Sicherheit		-
Presión máxima de servicio (paila), Pression maximale de service, Máxima pressione di esercizio, Maximum operating pressure, Máxima pressão de exercício, Maximaler Arbeitsdruck (Pfanne)		-
Resistencia mecánica (para soportar una chimenea/un conducto de humos), Resistence mécanique (pour soutenir la cheminée), Resistenza mecánica (per supportare il camino), Mechanical strength (to support the fireplace), Resistência mecânica (para suportar a chaminé), Mechanischer Widerstand (zur Unterstützung eines Schornsteins/Abzugs)		Cumple, Conforme, Conforme, Compliant, Em Conformidade, Gemäß
Potencia térmica ambiente, Puissance rendue au milieu, Potenza resa all'ambiente, Power output to the environment, Potência libertada no ambiente, Umgebungswärmeleistung		<b>10 kW</b>
Potencia térmica agua, Puissance rendue à l'eau, Potenza ceduta all'acqua, Power transferred to water, Potência cedida à água, Thermalkraft Wasser		-
Rendimiento energético, Rendement, Rendimento, Efficiency, Atuação, Energieeffizienz		<b>79,5 %</b>

Las prestaciones del producto identificado en el punto 1 son conformes con las prestaciones declaradas en el punto 6.

La performance du produit cité au point 1 est conforme à la performance declare au point 6.

La prestazione del prodotto di cui al punto 1 è conforme alla prestazione dichiarata di cui al punto 6.

The performance of the product referred to in point 1 is consistent with the declared performance in point 6.

As declarações do produto identificado no ponto 1, estão conformes com as prestações declaradas no ponto 6.

Die Leistung des in Nummer 1 genannten Produkts entspricht der in Nummer 6 angegebenen Leistung.

La presente declaración de prestaciones se emite bajo la única responsabilidad del fabricante, indicado en el punto 3.

Cette déclaration de performance est délivrée sous la responsabilité exclusive du fabricant cité au point 3.

Si rilascia la presente dichiarazione di prestazione sotto la responsabilità esclusiva del fabricante di cui al punto 3.

This declaration of performance is issued under the manufacturer's sole responsibility referred to in point 3.

É emitida a presente declaração de desempenho sob a responsabilidade exclusiva do fabricante referido no ponto 3.

Diese Leistungserklärung wird in alleiniger Verantwortung des Herstellers ausgestellt, wie in Punkt 3 angegeben.

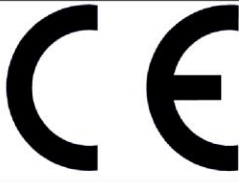


**José Julián Garcíandía Pellejero**  
Director Gerente


Alsasua 19-12-2022



## 9. CE MARK


	LACUNZA KALOR GROUP S.A.L. Pol. Ind. Ibarrea 5A 31800 Alsasua (Navarra) (Spain)	
	22	Número, Nombre, Numero, Number, Número, Nummer: <b>ES-S-045</b>
Marca, marque, marca, mark, markierung: <b>Lacunza</b> Tipo, type, tipo, type, tipo, nett: <b>Estufa, Poêle, Stufa, Stove, Aquecedor, Holzofen</b> Modelo, modèle, modello, model, modelo, modell: <b>PARIS 700, PARIS 700 MURAL</b>	Organismo notificado, Laboratoire notifié, Laboratorio notificato, Laboratory notified, Laboratorio notificado, Notifizierter Organismus: <b>SZU Nº 1015</b>	
Aparato Tipo, Type d'appareil, Tipo di apparecchio, Apparatus Type, Tipo de aparelho, Gerätetyp: <b>CM</b>		
Estufa de carga manual, para quemar combustibles sólidos (indicado en instrucciones), cuya función es calentar el espacio en el que está instalada. Funcionamiento Intermitente. Para conducto humos no compartido. Poêle qui se charge manuellement, conçu pour brûler des combustibles solides (indiqués dans Manuel d'Instructions), dont la fonction est de chauffer l'espace où il est installé. Fonctionnement intermittent. Pour conduit non partagé. Stufa a carico manuale, per bruciare combustibili solidi (indicati nelle istruzioni), la cui funzione è riscaldare lo spazio in cui è installato. Funzionamento intermittente. Per condotto non condiviso. Stove to be loaded by hand and designed to burn solid fuels (indicated in instructions), whose function is to heat the space in which it is installed. Intermittent operation. For non-shared conduit. Aquecedor de carga manual, para queimar combustíveis sólidos (indicado nas instruções), cuja função é aquecer o espaço no qual está instalado. Operação intermitente. Para conduíte não compartilhado. Manueller Beschickungsöfen zum Verbrennen von festen Brennstoffen (in der Anleitung angegeben), dessen Funktion darin besteht, den Raum zu erwärmen, in dem er installiert ist. Intermittierender Betrieb. Für nicht geteilten Rauchkanal.		
<b>EN-13240:2001/A2:2004/AC:2006/AC:2007</b>		
Características esenciales, Caractéristiques essentielles, Caratteristiche essenziali, Essential features, Características essenciais, unerlässliche Eigenschaften	Prestaciones, Performance, Prestazione, Services, Desempenho, Leistungen	
Reacción al fuego, Resistance au feu, Resistenza al fuoco, Resistance to fire, Resistência ao fogo, Reaktion auf Feuer	Cumple, Conforme, Conforme, Compliant, Em Conformidade, Gemäß	
Distancia mínima de seguridad a materiales combustibles, Distance minimum aux matériaux combustibles, Distanza minima da materiali combustibili, Minimum distance from combustible material, Distância mínimo de materiais combustíveis, Mindestsicherheitsabstand zu brennbaren Materialien	Izquierda, gauche, sinistra, left, esquerda: <b>800mm</b> Derecha, droite, diritto, right, direito: <b>800mm</b> Trasera, arrière, retro, back, traseira (Paris 700): <b>400mm.</b> Trasera, arrière, retro, back, traseira (Paris 700 Mural): <b>No combustible</b> Delantera, avant, fronte, front, frente: <b>800mm</b>	
Temperatura humos a potencia térmica nominal, Température des fumées, Temperatura fumi, Fume temperatura, Temperatura dos gases de combustão, Rauchtemperatur bei Nennwärmeleistung	<b>287 °C</b>	
Emisión, Emission, Emissione, Emissão, Emission, Ausgabe CO 13% O2	<b>0,09 %</b>	
Emisión, Emission, Emissione, Emissão, Emission, Ausgabe CO 13% O2	<b>1125 mg/m<sup>3</sup></b>	
Emisión, Emission, Emissione, Emissão, Emission, Ausgabe NOx 13% O2	<b>115 mg/m<sup>3</sup></b>	
Emisión, Emission, Emissione, Emissão, Emission, Ausgabe OGC 13% O2	<b>69 mg/m<sup>3</sup></b>	
Emisión, Emission, Emissione, Emissão, Emission, Ausgabe PM 13% O2	<b>29 mg/m<sup>3</sup></b>	
Desprendimiento de sustancias peligrosas, Rejet de substances dangereuses, Rilascio di sostanze pericolose, Release of hazardous substances, Lançamento de substâncias perigosas, Freisetzung von Gefahrstoffen	Cumple, Conforme, Conforme, Compliant, Em Conformidade, Gemäß	
Temperatura superficial, Température de surface, Temperatura superficiale, Surface temperatura, Temperatura superficial, Oberflächentemperatur	Cumple, Conforme, Conforme, Compliant, Em Conformidade, Gemäß	
Seguridad eléctrica, Sécurité électrique, Sicurezza elettrica, Electrical safety, Segurança elétrica, elektrische Sicherheit	-	
Resistencia mecánica (para soportar una chimenea/un conducto de humos), Resistance mécanique (pour soutenir la cheminée), Resistenza mecánica (per supportare il camino), Mechanical strength (to support the fireplace), Resistência mecânica (para suportar a chaminé), Mechanischer Widerstand (zur Unterstützung eines Schornsteins/Abzugs)	Cumple, Conforme, Conforme, Compliant, Em Conformidade, Gemäß	
Potencia térmica ambiente, Puissance rendue au milieu, Potenza resa all'ambiente, Power output to the environment, Potência libertada no ambiente, Umgebungswärmeleistung	<b>8 kW</b>	
Rendimiento energético, Rendement, Rendimento, Efficiency, Atuação, Energieeffizienz	<b>78 %</b>	

Signa las instrucciones para el usuario. Suivez les instructions de l'utilisateur. Segui le istruzioni per l'utente. Follow the user instructions. Signa as instruções do usuário. Befolgen Sie die Benutzeranweisungen


	LACUNZA KALOR GROUP S.A.L. Pol. Ind. Ibarrea 5A 31800 Alsasua (Navarra) (Spain)	
	22	Número, Nombre, Numero, Number, Número, Nummer: <b>ES-S-046</b>
Marca, marque, marca, mark, marca, markierung: <b>Lacunza</b> Tipo, type, tipo, type, tipo, nett: <b>Estufa, Poêle, Stufa, Stove, Aquecedor, Holzofen</b> Modelo, modèle, modello, model, modelo, modell: <b>PARIS 700 CLID, PARIS 700 CLID MURAL</b>	Organismo notificado, Laboratoire notifié, Laboratorio notificato, Laboratory notified, Laboratorio notificado, Notifizierter Organismus: <b>SZU Nº 1015</b>	
Aparato Tipo, Type d'appareil, Tipo di apparecchio, Apparatus Type, Tipo de aparelho, Gerätetyp: <b>BE</b>		
Estufa de carga manual, para quemar combustibles sólidos (indicado en instrucciones), cuya función es calentar el espacio en el que está instalada. Funcionamiento Intermitente. Para conducto humos no compartido. Poêle qui se charge manuellement, conçu pour brûler des combustibles solides (indiqués dans Manuel d'Instructions), dont la fonction est de chauffer l'espace où il est installé. Fonctionnement intermittent. Pour conduit non partagé. Stufa a carico manuale, per bruciare combustibili solidi (indicati nelle istruzioni), la cui funzione è riscaldare lo spazio in cui è installato. Funzionamento intermittente. Per condotto non condiviso. Stove to be loaded by hand and designed to burn solid fuels (indicated in instructions), whose function is to heat the space in which it is installed. Intermittent operation. For non-shared conduit. Aquecedor de carga manual, para queimar combustíveis sólidos (indicado nas instruções), cuja função é aquecer o espaço no qual está instalado. Operação intermitente. Para conduíte não compartilhado. Manueller Beschickungssofen zum Verbrennen von festen Brennstoffen (in der Anleitung angegeben), dessen Funktion darin besteht, den Raum zu erwärmen, in dem er installiert ist. Intermittierender Betrieb. Für nicht geteilten Rauchkanal.		
<b>EN-13240:2001/A2:2004/AC:2006/AC:2007</b>		
<b>Características esenciales, Caractéristiques essentielles, Caratteristiche essenziali, Essential features, Características essenciais, unerlässliche Eigenschaften</b>	<b>Prestaciones, Performance, Prestazione, Services, Desempenho, Leistungen</b>	
Reacción al fuego, Resistance au feu, Resistenza al fuoco, Resistência ao fogo, Reaktion auf Feuer	<b>Cumple, Conforme, Conforme, Compliant, Em Conformidade, Gemäß</b>	
Distancia mínima de seguridad a materiales combustibles, Distance minimum aux matériaux combustibles, Dintanza mínima da material combustibili, Minimum distance from combustible material, Distância mínimo de materiais combustíveis, Mindestsicherheitsabstand zu brennbaren Materialien	<b>Izquierda, gauche, sinistra, left, esquerda: 800mm</b> <b>Derecha, droite, diritto, right, direito: 800mm</b> <b>Trasera, arrière, retro, back, traseira (Paris 700 CLID): 400mm.</b> <b>Trasera, arrière, retro, back, traseira (Paris 700 CLID Mural): No combustible</b> <b>Delantera, avant, fronte, front, frente: 800mm</b>	
Temperatura humos a potencia térmica nominal, Température des fumées, Temperatura fumi, Fume temperatura, Temperatura dos gases de combustão, Rauchtemperatur bei Nennwärmeleistung	<b>255 °C</b>	
Emisión, Emission, Emissione, Emissão, Emission, Ausgabe CO 13% O2	<b>0,09 %</b>	
Emisión, Emission, Emissione, Emissão, Emission, Ausgabe CO 13% O2	<b>1123 mg/m<sup>3</sup></b>	
Emisión, Emission, Emissione, Emissão, Emission, Ausgabe NOx 13% O2	<b>112 mg/m<sup>3</sup></b>	
Emisión, Emission, Emissione, Emissão, Emission, Ausgabe OGC 13% O2	<b>65 mg/m<sup>3</sup></b>	
Emisión, Emission, Emissione, Emissão, Emission, Ausgabe PM 13% O2	<b>27 mg/m<sup>3</sup></b>	
Desprendimiento de sustancias peligrosas, Rejet de substances dangereuses, Rilascio di sostanze pericolose, Release of hazardous substances, Lançamento de substâncias perigosas, Freisetzung von Gefahrstoffen	<b>Cumple, Conforme, Conforme, Compliant, Em Conformidade, Gemäß</b>	
Temperatura superficial, Température de surface, Temperatura superficiale, Surface temperatura, Temperatura superficial, Oberflächentemperatur	<b>Cumple, Conforme, Conforme, Compliant, Em Conformidade, Gemäß</b>	
Seguridad eléctrica, Sécurité électrique, Sicurezza elettrica, Electrical safety, Segurança elétrica, elektrische Sicherheit	-	
Resistencia mecánica (para soportar una chimenea/un conducto de humos), Resistence mécanique (pour soutenir la cheminée), Resistenza mecánica (per supportare il camino), Mechanical strength (to support the fireplace), Resistência mecânica (para suportar a chaminé), Mechanischer Widerstand (zur Unterstützung eines Schornsteins/Abzugs)	<b>Cumple, Conforme, Conforme, Compliant, Em Conformidade, Gemäß</b>	
Potencia térmica ambiente, Puissance rendue au milieu, Potenza resa all'ambiente, Power output to the environment, Potência libertada no ambiente, Umgebungswärmeleistung	<b>9,5 kW</b>	
Rendimiento energético, Rendement, Rendimento, Efficiency, Atuação, Energieeffizienz	<b>80 %</b>	

Siga las instrucciones para el usuario. Suivez les instructions de l'utilisateur. Segui le istruzioni per l'utente. Follow the user instructions. Siga as instruções do usuário. Befolgen Sie die Benutzeranweisungen



	LACUNZA KALOR GROUP S.A.L. Pol. Ind. Ibarrea 5A 31800 Alsasua (Navarra) (Spain)	
	Número, Nombre, Numero, Number, Número, Nummer: <b>ES-S-047</b>	
Marca, marque, marca, mark, marca, markierung: <b>Lacunza</b> Tipo, type, tipo, type, tipo, nett: <b>Estufa, Poêle, Stufa, Stove, Aquecedor, Holzofen</b> Modelo, modèle, modello, model, modelo, modell: <b>PARIS 800, PARIS 800 MURAL</b>	Organismo notificado, Laboratoire notifié, Laboratorio notificato, Laboratory notified, Laboratorio notificado, Notifizierter Organismus: <b>SZU Nº 1015</b>	
Aparato Tipo, Type d'appareil, Tipo di apparecchio, Apparatus Type, Tipo de aparelho, Gerätetyp: <b>CM</b>		
Estufa de carga manual, para quemar combustibles sólidos (indicado en instrucciones), cuya función es calentar el espacio en el que está instalada. Funcionamiento Intermitente. Para conducto humos no compartido. Poêle qui se charge manuellement, conçu pour brûler des combustibles solides (indiqués dans Manuel d'Instructions), dont la fonction est de chauffer l'espace où il est installé. Fonctionnement intermittent. Pour conduit non partagé. Stufa a carico manuale, per bruciare combustibili solidi (indicati nelle istruzioni), la cui funzione è riscaldare lo spazio in cui è installato. Funzionamento intermittente. Per condotto non condiviso. Stove to be loaded by hand and designed to burn solid fuels (indicated in instructions), whose function is to heat the space in which it is installed. Intermittent operation. For non-shared conduit. Aquecedor de carga manual, para queimar combustíveis sólidos (indicado nas instruções), cuja função é aquecer o espaço no qual está instalado. Operação intermitente. Para conduíte não compartilhado. Manueller Beschickungssofen zum Verbrennen von festen Brennstoffen (in der Anleitung angegeben), dessen Funktion darin besteht, den Raum zu erwärmen, in dem er installiert ist. Intermittierender Betrieb. Für nicht geteilten Rauchkanal.		
<b>EN-13240:2001/A2:2004/AC:2006/AC:2007</b>		
Características esenciales, Caractéristiques essentielles, Caratteristiche essenziali, Essential features, Características essenciais, unerlässliche Eigenschaften	Prestaciones, Performance, Prestazione, Services, Desempenho, Leistungen	
Reacción al fuego, Resistance au feu, Resistenza al fuoco, Resistance to fire, Resistência ao fogo, Reaktion auf Feuer	Cumple, Conforme, Conforme, Compliant, Em Conformidade, Gemäß	
Distancia mínima de seguridad a materiales combustibles, Distance minimum aux matériaux combustibles, Dintanza mínima da materiali combustibili, Minimum distance from combustible material, Distância mínimo de materiais combustíveis, Mindestsicherheitsabstand zu brennbaren Materialien	Izquierda, gauche, sinistra, left, esquerda: <b>800mm</b> Derecha, droite, diritto, right, direita: <b>800mm</b> Trasera, arrière, retro, back, traseira (Paris 800): <b>400mm.</b> Trasera, arrière, retro, back, traseira (Paris 800 Mural): <b>No combustible</b> Delantera, avant, fronte, front, frente: <b>800mm</b>	
Temperatura humos a potencia térmica nominal, Température des fumées, Temperatura fumi, Fume temperatura, Temperatura dos gases de combustão, Rauchtemperatur bei Nennwärmeleistung	<b>316 °C</b>	
Emisión, Emission, Emissione, Emissão, Emission, Ausgabe CO 13% O2	<b>0.06 %</b>	
Emisión, Emission, Emissione, Emissão, Emission, Ausgabe, CO 13% O2	<b>750 mg/m<sup>3</sup></b>	
Emisión, Emission, Emissione, Emissão, Emission, Ausgabe NOx 13% O2	<b>123 mg/m<sup>3</sup></b>	
Emisión, Emission, Emissione, Emissão, Emission, Ausgabe OGC 13% O2	<b>64 mg/m<sup>3</sup></b>	
Emisión, Emission, Emissione, Emissão, Emission, Ausgabe PM 13% O2	<b>30 mg/m<sup>3</sup></b>	
Desprendimiento de sustancias peligrosas, Rejet de substances dangereuses, Rilascio di sostanze pericolose, Release of hazardous substances, Lançamento de substâncias perigosas, Freisetzung von Gefahrstoffen	Cumple, Conforme, Conforme, Compliant, Em Conformidade, Gemäß	
Temperatura superficial, Température de surface, Temperatura superficiale, Surface temperatura, Temperatura superficial, Oberflächentemperatur	Cumple, Conforme, Conforme, Compliant, Em Conformidade, Gemäß	
Seguridad eléctrica, Sécurité électrique, Sicurezza elettrica, Electrical safety, Segurança elétrica, elektrische Sicherheit	-	
Resistencia mecánica (para soportar una chimenea/un conducto de humos), Resistance mécanique (pour soutenir la cheminée), Resistenza mecánica (per supportare il camino), Mechanical strength (to support the fireplace), Resistência mecânica (para suportar a chaminé), Mechanischer Widerstand (zur Unterstützung eines Schornsteins/Abzugs)	Cumple, Conforme, Conforme, Compliant, Em Conformidade, Gemäß	
Potencia térmica ambiente, Puissance rendue au milieu, Potenza resa all'ambiente, Power output to the environment, Potência libertada no ambiente, Umgebungswärmeleistung	<b>10 kW</b>	
Rendimiento energético, Rendement, Rendimento, Efficiency, Atuação, Energieeffizienz	<b>79 %</b>	

Siga las instrucciones para el usuario. Suivez les instructions de l'utilisateur. Segui le istruzioni per l'utente. Follow the user instructions. Siga as instruções do usuário. Befolgen Sie die Benutzeranweisungen

	22	LACUNZA KALOR GROUP S.A.L. Pol. Ind. Ibarrea 5A 31800 Alsasua (Navarra) (Spain)
	Número, Nombre, Numero, Number, Número, Nummer: <b>ES-S-048</b>	
Marca, marque, marca, mark, marca, markierung: <b>Lacunza</b> Tipo, type, tipo, type, tipo, nett: <b>Estufa, Poêle, Stufa, Stove, Aquecedor, Holzofen</b> Modelo, modèle, modello, model, modelo, modell: <b>PARIS 800 CLID, PARIS 800 CLID MURAL</b>		Organismo notificado, Laboratoire notifié, Laboratorio notificato, Laboratory notified, Laboratorio notificado, Notifizierter Organismus: <b>SZU Nº 1015</b>
Aparato Tipo, Type d'appareil, Tipo di apparecchio, Apparatus Type, Tipo de aparelho, Gerätetyp: <b>BE</b>		
Estufa de carga manual, para quemar combustibles sólidos (indicado en instrucciones), cuya función es calentar el espacio en el que está instalada. Funcionamiento Intermitente. Para conducto humos no compartido. Poêle qui se charge manuellement, conçu pour brûler des combustibles solides (indiqués dans Manuel d'Instructions), dont la fonction est de chauffer l'espace où il est installé. Fonctionnement intermittent. Pour conduit non partagé. Stufa a carico manuale, per bruciare combustibili solidi (indicati nelle istruzioni), la cui funzione è riscaldare lo spazio in cui è installato. Funzionamento intermittente. Per condotto non condiviso. Stove to be loaded by hand and designed to burn solid fuels (indicated in instructions), whose function is to heat the space in which it is installed. Intermittent operation. For non-shared conduit. Aquecedor de carga manual, para queimar combustíveis sólidos (indicado nas instruções), cuja função é aquecer o espaço no qual está instalado. Operação intermitente. Para conduíte não compartilhado. Manueller Beschickungssofen zum Verbrennen von festen Brennstoffen (in der Anleitung angegeben), dessen Funktion darin besteht, den Raum zu erwärmen, in dem er installiert ist. Intermittierender Betrieb. Für nicht geteilten Rauchkanal.		
<b>EN-13240:2001/A2:2004/AC:2006/AC:2007</b>		
<b>Características esenciales, Caractéristiques essentielles, Caratteristiche essenziali, Essential features, Características essenciais, unerlässliche Eigenschaften</b>		<b>Prestaciones, Performance, Prestazione, Services, Desempenho, Leistungen</b>
Reacción al fuego, Resistance au feu, Resistenza al fuoco, Resistência ao fogo, Reaktion auf Feuer		<b>Cumple, Conforme, Conforme, Compliant, Em Conformidade, Gemäß</b>
Distancia mínima de seguridad a materiales combustibles, Distance minimum aux matériaux combustibles, Dintanza mínima da material combustibili, Minimum distance from combustible material, Distância mínimo de materiais combustíveis, Mindestsicherheitsabstand zu brennbaren Materialien	<b>Izquierda, gauche, sinistra, left, esquerda: 800mm</b> <b>Derecha, droite, diritto, right, direito: 800mm</b> <b>Trasera, arrière, retro, back, traseira (Paris 800 CLID): 400mm.</b> <b>Trasera, arrière, retro, back, traseira (Paris 800 CLID Mural): No combustible</b> <b>Delantera, avant, fronte, front, frente: 800mm</b>	
Temperatura humos a potencia térmica nominal, Température des fumées, Temperatura fumi, Fume temperatura, Temperatura dos gases de combustão, Rauchtemperatur bei Nennwärmeleistung	<b>283 °C</b>	
Emisión, Emission, Emissione, Emissão, Emission, Ausgabe CO 13% O2	<b>0.09 %</b>	
Emisión, Emission, Emissione, Emissão, Emission, Ausgabe CO 13% O2	<b>1153 mg/m<sup>3</sup></b>	
Emisión, Emission, Emissione, Emissão, Emission, Ausgabe NOx 13% O2	<b>118 mg/m<sup>3</sup></b>	
Emisión, Emission, Emissione, Emissão, Emission, Ausgabe OGC 13% O2	<b>67 mg/m<sup>3</sup></b>	
Emisión, Emission, Emissione, Emissão, Emission, Ausgabe PM 13% O2	<b>27 mg/m<sup>3</sup></b>	
Desprendimiento de sustancias peligrosas, Rejet de substances dangereuses, Rilascio di sostanze pericolose, Release of hazardous substances, Lançamento de substâncias perigosas, Freisetzung von Gefahrstoffen	<b>Cumple, Conforme, Conforme, Compliant, Em Conformidade, Gemäß</b>	
Temperatura superficial, Température de surface, Temperatura superficiale, Surface temperatura, Temperatura superficial, Oberflächentemperatur	<b>Cumple, Conforme, Conforme, Compliant, Em Conformidade, Gemäß</b>	
Seguridad eléctrica, Sécurité électrique, Sicurezza elettrica, Electrical safety, Segurança elétrica, elektrische Sicherheit	-	
Resistencia mecánica (para soportar una chimenea/un conducto de humos), Resistence mécanique (pour soutenir la cheminée), Resistenza mecánica (per supportare il camino), Mechanical strength (to support the fireplace), Resistência mecânica (para suportar a chaminé), Mechanischer Widerstand (zur Unterstützung eines Schornsteins/Abzugs)	<b>Cumple, Conforme, Conforme, Compliant, Em Conformidade, Gemäß</b>	
Potencia térmica ambiente, Puissance rendue au milieu, Potenza resa all'ambiente, Power output to the environment, Potência libertada no ambiente, Umgebungswärmeleistung	<b>10 kW</b>	
Rendimiento energético, Rendement, Rendimento, Efficiency, Atuação, Energieeffizienz	<b>79,5 %</b>	

Siga las instrucciones para el usuario. Suivez les instructions de l'utilisateur. Segui le istruzioni per l'utente. Follow the user instructions. Siga as instruções do usuário. Befolgen Sie die Benutzeranweisungen

LACUNZA KALOR GROUP S.A.L

Pol. Ind. Ibarrea 5A

31800 Alsasua (Navarra) Spain

Tel.: (00 34) 948 56 35 11

Fax.: (00 34) 948 56 35 05

e-mail: [comercial@lacunza.net](mailto:comercial@lacunza.net)

Website: [www.lacunza.net](http://www.lacunza.net)

EDITION: 05

