

OVAL EcoDesign

PANADERO



MEASURES

DIMENSIONS H x W x D	1008x605x490 mm
GROSS/NET WEIGHT	142/131 kg
FIREWOOD ENTRANCE	355x440 mm
SMOKE FLUE	Ø 150-153 mm Top

CHARACTERISTICS

CAST IRON GRILL	
NOMINAL HEAT OUTPUT	8,7 KW
EFFICIENCY	80,7 %
CO EMISSIONS	0,10 %
HEAT RESISTANT PAINT	800°C
CERAMIC GLASS HEAT RESISTANCE	750°C

EAN 8426964183009

REF. PANADERO 18300

PRODUCT PLUS

ECODESIGN 2022



EXTERNAL AIR INTAKE



VERMICULITE LINING



DOUBLE STEEL BODY SHEET 4 + 2,5 MM



WOOD LOG STORAGE



CLEAN GLASS SYSTEM



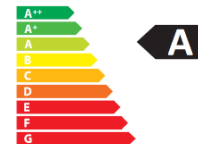
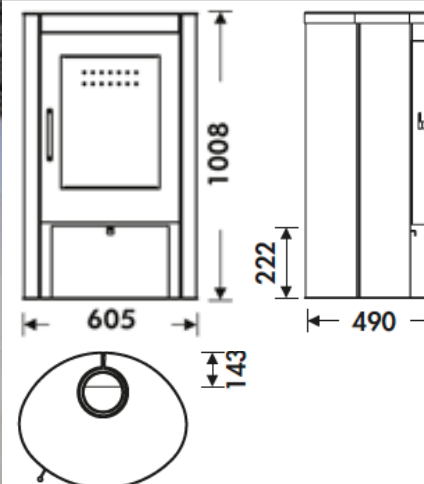
TRIPLE COMBUSTION



WOOD LOGS 50 CM



HEATING VOLUME



V K F A E A I **BImSchV2**



OVAL