

ALBA EcoDesign

PANADERO

MEASURES

DIMENSIONS H x W x D	1108x444x417 mm
GROSS/NET WEIGHT	119/104 kg
FIREWOOD ENTRANCE	230x500 mm
SMOKE FLUE	Ø 150-153 mm Top

CHARACTERISTICS

CAST IRON GRILL	
THREE-SIDED VISION	
STEEL BODY SHEET	5 mm
NOMINAL HEAT OUTPUT	9,5 KW
EFFICIENCY	76,7%
CO EMISSIONS	0,08%
HEAT RESISTANT PAINT	800°C
CERAMIC GLASS HEAT RESISTANCE	750°C

EAN 8426964180503
REF. PANADERO 18050

PRODUCT PLUS

ECODESIGN



EXTERNAL AIR INTAKE



VERMICULITE LINING



WOOD LOG STORAGE



WOOD LOGS 50 CM



HEATING VOLUME



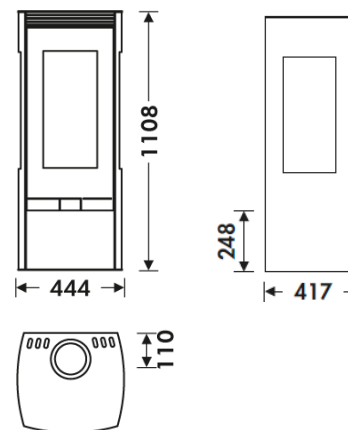
CLEAN GLASS SYSTEM



TRIPLE COMBUSTION



DOUBLE LOCK



ALBA EN



A



Art. 15a B-VG

BImSchV2



flamme
VERTE

Le label
du chauffage
au bois

7 ★